



EW6FCH19Z

EN User Manual | **Washing Machine**

2

IT Istruzioni per l'uso | **Lavabiancheria**

34



Welcome to Electrolux! Thank you for choosing our appliance.



In our drive to be sustainable, we are reducing paper assets and provide full user manuals online. Access your full user manual at electrolux.com/manuals



Get usage advice, brochures, troubleshooting, service and repair information at electrolux.com/support



Buy accessories, consumables, and original spare parts for your appliance at electrolux.com/shop

Subject to change without notice.

CONTENTS

1. SAFETY INFORMATION.....	2
2. SAFETY INSTRUCTIONS.....	4
3. PRODUCT DESCRIPTION.....	6
4. TECHNICAL INFORMATION.....	7
5. INSTALLATION.....	7
6. CONTROL PANEL.....	11
7. DIAL AND BUTTONS.....	12
8. PROGRAMMES.....	14
9. SETTINGS.....	18
10. DAILY USE.....	19
11. CARE AND CLEANING.....	22
12. CONSUMPTION VALUES.....	27
13. QUICK GUIDE.....	29
14. ENVIRONMENTAL CONCERNS.....	33

1. ⚠ SAFETY INFORMATION



Before the installation and use of this appliance, carefully read the supplied instructions. The manufacturer is not responsible for any injuries or damage that are the result of incorrect installation or usage. Always keep the instructions in a safe and accessible location for future reference.

1.1 Children and vulnerable people safety

- This appliance can be used by children aged from 8 years and above and persons with reduced physical, sensory or mental capabilities or lack of experience and knowledge if they have been given supervision or instruction concerning

the use of the appliance in a safe way and understand the hazards involved.

- Children between 3 and 8 years of age and persons with very extensive and complex disabilities shall be kept away from the appliance unless continuously supervised.
- Children of less than 3 years of age should be kept away from the appliance unless continuously supervised.
- Children should be supervised to ensure that they do not play with the appliance.
- Keep all packaging away from children and dispose of it appropriately.
- Keep detergents away from children.
- Keep children and pets away from the appliance when the door is open.
- If the appliance has a child safety device, it should be activated.
- Children shall not carry out cleaning and user maintenance of the appliance without supervision.

1.2 General Safety

- This appliance is for washing domestic-type, machine-washable laundry only.
- This appliance is designed for single household domestic use in an indoor environment.
- This appliance may be used in offices, hotel guest rooms, bed & breakfast guest rooms, farm guest houses and other similar accommodation where such use does not exceed (average) domestic usage levels.
- Do not change the specification of this appliance.
- The appliance maximum load is 9 kg. Do not exceed the maximum load of each programme (refer to the “Programmes” chapter).
- The operating water pressure at the water entry point from the outlet connection must be between 0.5 bar (0.05 MPa) and 10 bar (1.0 MPa).

- The ventilation opening in the base must not be covered by a carpet, mat, or any floor covering.
- The appliance must be connected to the water mains using the new supplied hose sets, or other new hose sets supplied by the Authorised Service Centre.
- Old hose sets must not be reused.
- If the mains power supply cable is damaged, it must be replaced by the manufacturer, its Authorised Service Centre or similarly qualified persons to avoid an electrical hazard.
- Before any maintenance operation, deactivate the appliance and disconnect the mains plug from the socket.
- Do not use high pressure water sprays and/or steam to clean the appliance.
- Clean the appliance with a moist cloth. Use only neutral detergents. Do not use abrasive products, abrasive cleaning pads, solvents or metal objects.
- If a tumble dryer is stacked on the top of the washing machine, make sure to use the correct stacking kit approved by ELECTROLUX.

2. SAFETY INSTRUCTIONS

2.1 Installation



The installation must comply with relevant national regulations.

- Remove all the packaging and the transit bolts including rubber bush with plastic spacer.
- Keep the transit bolts in a safe place. If the appliance is to be moved in the future they must be reattached to lock the drum to prevent an internal damage.
- Always take care when moving the appliance as it is heavy. Always use safety gloves and enclosed footwear.
- Follow the installation instructions supplied with the appliance.
- Do not install or use a damaged appliance.
- Do not install or use the appliance where the temperature can be less than 0°C or where it is exposed to the weather.
- The floor area on which the appliance is to be installed must be flat, stable, heat resistant and clean.
- Make sure that there is air circulation between the appliance and the floor.
- When the appliance is in its permanent position, check if it is levelled correctly with the aid of a spirit level. If it is not, adjust the feet accordingly.
- Do not install the appliance directly above a floor drain.
- Do not spray water on the appliance and do not expose it to excessive humidity.
- Do not install the appliance where the appliance door cannot be fully opened.
- Do not put a closed container to collect possible water leakage under the appliance. Contact the Authorised Service

Centre to ensure which accessories can be used.

2.2 Electrical connection

WARNING!

Risk of fire and electric shock.

- **WARNING:** This appliance is designed to be installed / connected to a grounding connection in the building.
- Always use a correctly installed shockproof socket.
- Make sure that the parameters on the rating plate are compatible with the electrical ratings of the mains power supply.
- Do not use multi-plug adapters and extension cables.
- Make sure not to cause damage to the mains plug and to the mains cable. If the mains cable needs to be replaced, this must be carried out by our Authorised Service Centre.
- Connect the mains plug to the mains socket only at the end of the installation. Make sure that there is access to the mains plug after the installation.
- Do not touch the mains cable or the mains plug with wet hands.
- Do not disconnect the appliance by pulling on the mains cable. Always pull on the mains plug.

2.3 Water connection

- The inlet water shall not exceed 25 °C.
- Do not cause damage to the water hoses.
- Before connection to new pipes, pipes not used for a long time, where repair work has been carried out or new devices fitted (water meters, etc.), let the water flow until it is clean and clear.
- Ensure that there are no visible water leaks during and after the first use of the appliance.
- Do not use an extension hose if the inlet hose is too short. Contact the Authorised Service Centre for the replacement of the inlet hose.
- When unpacking the appliance, It is possible to see water flowing from the drain hose. This is due to the testing of the

appliance with the use of water in the factory.

- You can extend the drain hose to maximum 400 cm. Contact the Authorised Service Centre for the other drain hose and the extension.
- Make sure that there is access to the tap after the installation.
- Close the water tap after each use of the appliance.

2.4 Use

WARNING!

Risk of injury, electric shock, fire, burns or damage to the appliance.

- Follow the safety instructions on the detergent packaging.
- Do not put flammable products or items that are wet with flammable products in, near or on the appliance.
- Do not wash fabrics which are heavily soiled with oil, grease or other greasy substances. It can damage rubber parts of the appliance. Prewash such fabrics by hand before loading them into the appliance.
- Do not use laundry fragrances to avoid the risk of damaging plastic and rubber parts of the appliance.
- Do not touch the glass door while a programme operates. The glass can get hot.
- Make sure that all metal objects are removed from the laundry.

2.5 Service

- To repair the appliance contact the Authorised Service Centre. Use original spare parts only.
- Please note that self-repair or non-professional repair can have safety consequences and might void the guarantee.
- The following spare parts are available for at least 10 years after the model has been discontinued: motor and motor brushes, transmission between motor and drum, pumps, shock absorbers and springs, washing drum, drum spider and related ball bearings, heaters and heating elements, including heat pumps, piping

and related equipment including hoses, valves, filters and aquastops, printed circuit boards, electronic displays, pressure switches, thermostats and sensors, software and firmware including reset software, door, door hinge and seals, other seals, door locking assembly, plastic peripherals such as detergent dispensers. The duration may be longer in your country. For further information, please visit our website.

- Please note that some of these spare parts are only available to professional repairers, and that not all spare parts are relevant for all models.
- Concerning the lamp(s) inside this product and spare part lamps sold separately: These lamps are intended to withstand extreme physical conditions in household appliances, such as temperature, vibration, humidity, or are intended to signal information about the operational

status of the appliance. They are not intended to be used in other applications and are not suitable for household room illumination.

2.6 Disposal

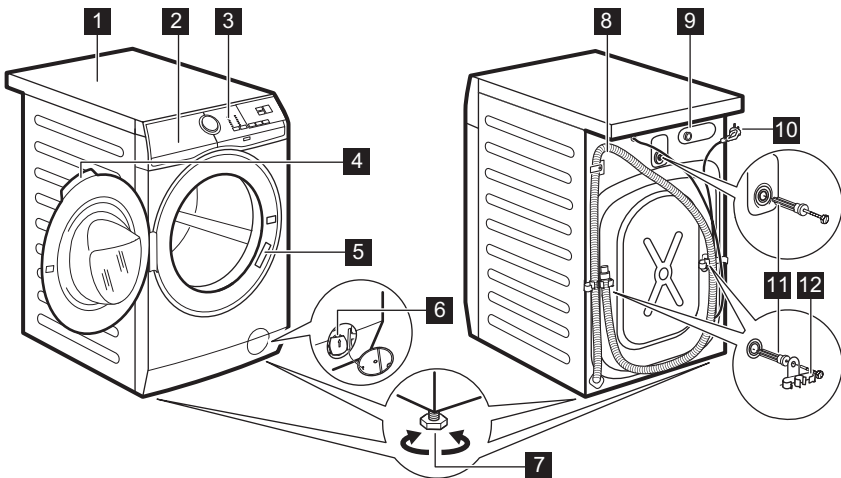
! WARNING!

Risk of injury or suffocation.

- Disconnect the appliance from the mains electrical and water supplies.
- Cut off the mains electrical cable close to the appliance and dispose of it.
- Remove the door catch to prevent children or pets from becoming trapped in the drum.
- Dispose of the appliance in accordance with local requirements for the disposal of Waste Electrical and Electronic Equipment (WEEE).

3. PRODUCT DESCRIPTION

3.1 Appliance overview

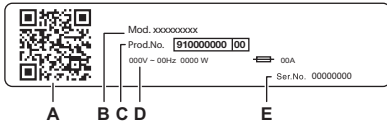


- 1** Worktop
- 2** Detergent dispenser
- 3** Control panel
- 4** Door handle

- 5** Rating plate
- 6** Drain pump filter
- 7** Feet for levelling the appliance
- 8** Drain hose

- 9 Inlet hose connection
- 10 Mains cable
- 11 Transit bolts

- 12 Hose support



The rating plate reports:

- A. QR code
- B. Model name
- C. Product number
- D. Electrical ratings
- E. Serial number

Scan the **QR code** on the appliance to register your product and get the most out of it.

- - Access your appliance details, documentation and articles on how to use the best features (User Manual also available at electrolux.com/manuals)
- - Get usage advice, troubleshooting, service and repair information (also available at electrolux.com/support)
- - Buy accessories, Consumable and Original Spare parts for you appliance (also available at electrolux.com/shop)

4. TECHNICAL INFORMATION

Dimension	Width/ Height/ Total depth	59,7 cm /84,7 cm /65,8 cm
Electrical connection	Voltage Overall power Fuse Frequency	230 V 2100 W 10 A 50 Hz
Level of protection against ingress of solid particles and moisture ensured by the protective cover, except where the low voltage equipment has no protection against moisture		IPX4
Water supply pressure	Minimum Maximum	0.5 bar (0.05 MPa) 10 bar (1.0 MPa)
Water supply ¹⁾		Cold water
Maximum Load	Cotton	9 kg

¹⁾ Connect the water inlet hose to a water tap with a 3/4" thread.

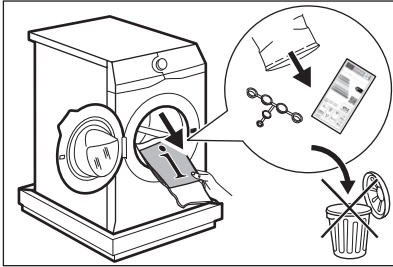
5. INSTALLATION

WARNING!

Refer to Safety chapters.

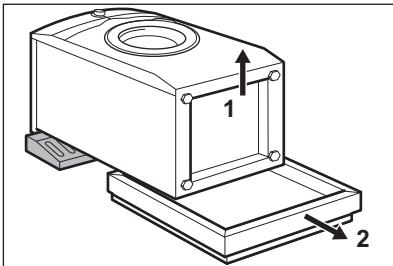
5.1 Unpacking

1. Open the door. Remove all the items from the drum.



Accessories delivered with the appliance may vary depending on the model.

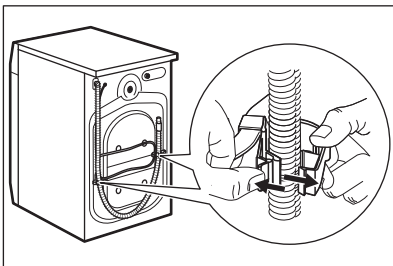
2. Put the packaging element on the floor behind the appliance and carefully put it down onto its rear side. Remove the protection from the bottom.



⚠ CAUTION!

Do not lay washing machine on its front.

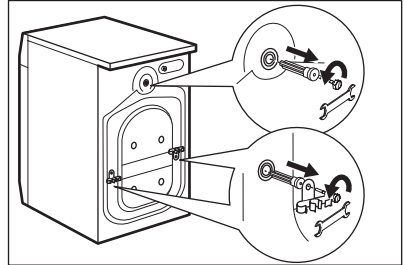
3. Put the appliance back into an upright position. Remove the power supply cable and the drain hose from the hose holders.



⚠ WARNING!

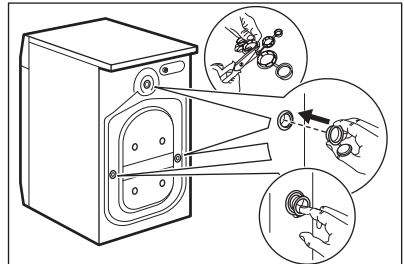
It is possible to see water flowing from the drain hose. This is because the washing machine has been tested at the factory.

4. Remove the three transit bolts and pull out the plastic spacers.



We recommend that you keep the packaging and the transit bolts for any transport of the appliance.

5. Put the plastic caps, that you find in the user manual bag, in the holes.



5.2 Information for installation

Positioning and levelling

Adjust the appliance correctly to prevent vibration, noise and movement of the appliance when it operates.

1. Install the appliance on a flat hard floor. The appliance must be levelled and stable. Make sure that the appliance does not touch the wall or other units and there is air circulation below the appliance.
2. Loosen or tighten the feet to adjust the level. All feet must rest firmly on the floor.

⚠ WARNING!

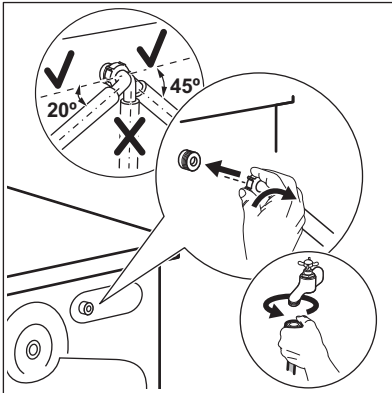
Do not put cardboard, wood or equivalent materials below the appliance feet to adjust the level.

The inlet hose

⚠ CAUTION!

Make sure there is no damage to hoses and there are no leaks from the couplings. Do not use an extension hose if the inlet hose is too short. Contact the service centre for information on inlet hose replacement.

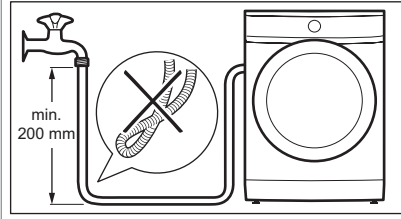
1. Connect the water inlet hose to the back of the appliance if needs. Usually, it is already installed at the factory.



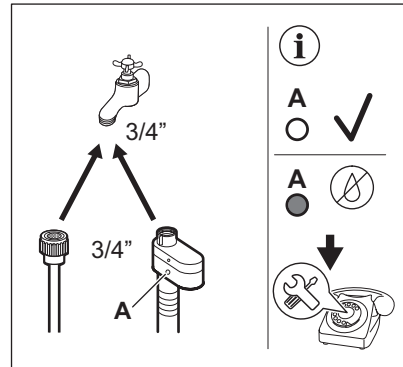
2. Position it toward left or right depending on the position of the water tap. Make sure that the inlet hose is not in vertical position.
3. If necessary, loosen the ring nut to set it in the correct position.
4. Connect the water inlet hose to the cold water tap with 3/4" thread.

⚠ WARNING!

To reduce the sideways force maintain a 200mm minimum straight section of hose below the tap connection.



5. Some models can contain inlet hose with water stop device. It prevents any leaks in the hose because of its natural ageing. The sector in the window shows this fault **A**. If this occurs, close the water tap and contact the authorized service centre for information to replace the hose.



⚠ WARNING!

The inlet water shall not exceed 25 °C.

Water drainage

The drain hose should stay at a height of no less than 60 cm and not more than 100 cm.

i

You can extend the drain hose to maximum 400 cm. Contact the authorised service centre to buy the other drain hose and the extension.

Make sure that the drain hose makes a loop to prevent particles going into the appliance from the sink.

Connect the drain hose to the spigot and tighten it with a clamp. Make sure that the drain hose makes a loop to prevent particles going into the appliance from the sink.

Position the hose directly to a built-in drain pipe in the room wall and tighten it with a clamp.

Without the plastic hose guide, to a sink spigot- Put the drain hose in the spigot and tighten it with a clamp.

The drain hose can be bent into U shape and put around the plastic guide. On the edge of a sink - Fasten the guide to the water tap or to the wall.

To a stand pipe with vent hole - Insert the drain hose directly into a drain pipe or stand pipe

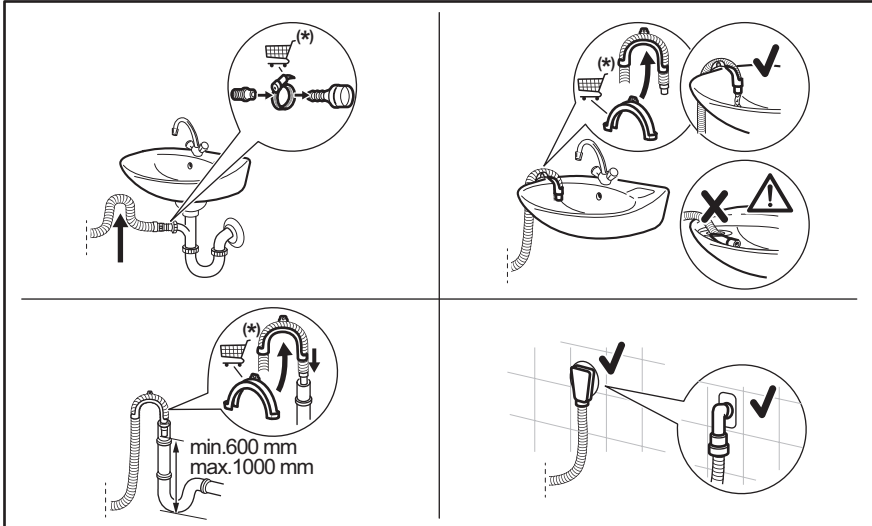


The end of the drain hose must always be ventilated, i.e. the inner diameter of the drain pipe (min. 38 mm - min. 1.5") must be larger than the external diameter of the drain hose.



Make sure that the plastic guide cannot move when the appliance drains and the drain hose end is not immersed in the water. There may be a return of dirty water into the appliance. Buy accessories from authorised supplier.

It is possible to connect the drain hose in different ways:



(*) Subject to change without notice.

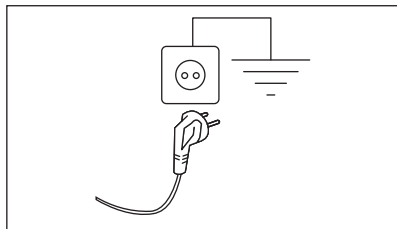
5.3 Electrical connection

At the end of installation you can connect the mains plug to the mains socket.

The rating plate and the 'Technical Data' chapter indicate the necessary electrical ratings. Make sure that they are compatible with the mains power supply.

Check that your domestic electrical installation can take the maximum load required, also taking into account any other appliances may also be in use.

Connect the appliance to an earthed socket.



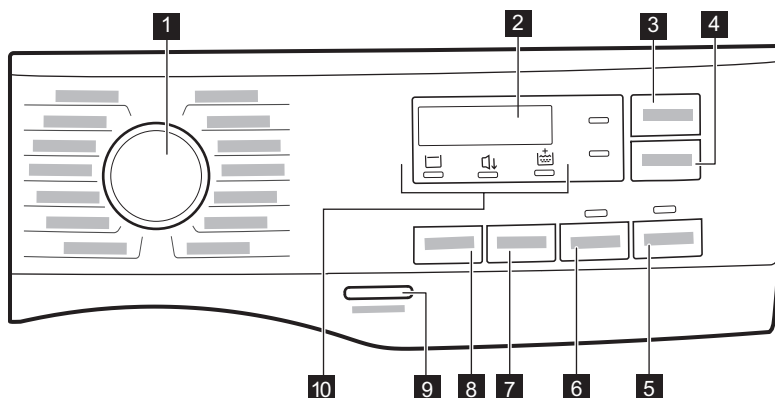
The power supply cable must be easily accessible after installing the appliance.

For any electrical work required to install this appliance, contact our Authorised Service Centre.

The manufacturer does not accept any responsibility for damage or injury through failure to comply with the above safety precaution.

6. CONTROL PANEL

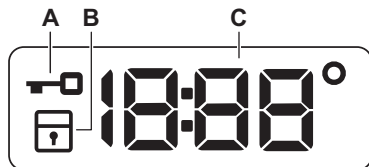
6.1 Control panel description



- 1** Programme dial
- 2** Display
- 3** Time Manager touch button
- 4** Partenza Ritardata touch button
- 5** Avvio/Pausa touch button
- 6** Prelavaggio touch button
- 7** Centrifuga reduction options touch button

- 8** Temp. touch button
- 9** On/Off push button
- 10** Indicators:
 - Rinse hold
 - Silent
 - Extra rinse

6.2 Display



- A. Door locked indicator.
B. Child safety lock indicator.
C. The digital indicator can show:
- Programme duration (e. g. 2:40).
 - Delay time (e. g. 2h).
 - Cycle end (0:00).
 - Warning code (e.g. E20).
 - Temperature (33°).

- Spin speed (1200, no spin indicator ---).
- Indication of total operating hours of the appliance. Refer to the "Operating hours counter" section in the "Settings" paragraph for more details.

7. DIAL AND BUTTONS

7.1 Introduction



The options/functions are not available with all washing programmes. Check the compatibility between options/functions and washing programmes in the "Programme Chart". An option/function can exclude another one, in this case the appliance doesn't allow you to set incompatible options/functions.

7.2 Temp.

When you select a washing programme, the appliance automatically proposes a default temperature.



Touch this button repeatedly until the desired temperature value appears on the display.


When the display shows the indicators ---°, the appliance does not heat the water.

7.3 Centrifuga


When you set a programme, the appliance automatically sets the default spin speed allowed.

Push this button to set additional spin options:

- **Decrease the spin speed.** The display shows only the spin speeds available for the set programme.
- **No spin ---** comes on display. Set this option to deactivate all spin phases. The appliance performs only the draining phase of the selected washing programme. Set this option for very delicate fabrics. The rinse phase uses more water for some washing programmes
- **Rinse hold** . The related indicator comes on. The final spin is not performed. The water of the last rinse is not drained out to prevent the fabrics from creasing. The washing programme ends with water in the drum. The door stays locked and the drum turns regularly to reduce creasing. You must drain the water to unlock the door. If you touch the Avvio/Pausa  button, the appliance performs the spinning phase and drains the water.

- **Silent** . The related indicator comes on. The intermediate and the final spinning phases are suppressed and the programme ends with water in the drum. This helps to reduce creasing. The door stays locked. The drum turns regularly to reduce creasing. You must drain the water to unlock the door.

As the programme is very quiet, it is suitable for use at night time when cheaper electricity tariffs are available. In some programmes the rinses are performed with more water.

If you touch the **Avvio/Pausa**  button, the appliance performs only the draining phase.



The appliance empties the water out automatically after approximately 18 hours.

7.4 Prelavaggio

With this option you can add a prewash phase to a washing programme.

The relevant indicator illuminates.

- Use this option to add a pre-wash phase at 30 °C before the washing phase. This option is recommended for heavily soiled laundry, especially if containing sand, dust, mud and other solid particles.



This option can increase the programme duration.

7.5 Time Manager

With this option you can reduce the programme duration depending on the load size and the degree of soiling. There are four cycle time reduction levels.

Touch Time Manager button to reduce the programme duration according to your needs. The display shows the new programme duration.

The Time Manager is available only with the programmes in the table.

Programme duration	Cotoni	Sintetici	Lavaggio intensivo
Longest ¹⁾	■	■	■
Medium long	■	■	■
Medium	■ 2)	■	■ 2)
Shortest	■ 2)	■	■ 2)

¹⁾ Default duration for all programmes.


²⁾ This level of Time Manager option is not available in 90°C.

For more details, refer to Programme options compatibility in "Programmes" chapter.


7.6 Partenza Ritardata

With this option you can delay the start of a programme to a more convenient time.

Touch the button repeatedly to set the required delay. The time increases in steps of 1 hour up to 20 hours.

After touching the **Avvio/Pausa**  button, the relevant indicator illuminates and the selected delay time and the appliance begins the countdown. The door is locked.

7.7 Avvio/Pausa

Touch the  button to start, pause the appliance or interrupt a running programme.

7.8 On/Off


Press this button for a few seconds to activate or deactivate the appliance. Two different tunes sound while switching the appliance on or off.





As the Stand-by function automatically deactivates the appliance after several minutes to reduce the energy consumption, you may need to activate the appliance again.

For more details, refer to Stand-by paragraph in Daily Use chapter.

8. PROGRAMMES

8.1 Programme Chart

Programme Default temperature Temperature range	Reference spin speed Spin speed range (rpm)	Maximum load	Programme description (Type of load and level of soiling)
FullWash 45' 30°C 30°C - Cold	1400 rpm (1400 - 400)	9 kg	Mixed fabrics, ideal for coloured cotton and synthetics and daily wear with light soil level. This programme will clean at 30°C in just 45 minutes. You will achieve the best results by washing small amounts clothes.
Cotoni 40°C 90°C - Cold	1400 rpm (1400 - 400)	9 kg	White and coloured cotton fabrics. Ideal for normal and heavy soil.
Sintetici 30°C 60°C - Cold	1200 rpm (1200 - 400)	4 kg	Synthetic items or mixed fabric items. Normal soil.
Delicati 30°C 40°C - Cold	800 rpm (1200 - 400)	2 kg	Delicate fabrics such as acrylics, viscose and mixed fabrics requiring gentler washing. Normal soil.
Lana/Seta  40°C 40°C - Cold	1200 rpm (1200 - 400)	1,5 kg	Machine washable wool, hand washable wool and other fabrics with «hand washing» care symbol 1).
Risciacquo	1400 rpm (1400 - 400)	9 kg	All fabrics, except woollens and very delicate fabrics. Programme for rinsing and spinning the laundry. The default spin speed is the one used for cotton programmes. Reduce the spin speed accordingly to the type of laundry. If necessary, set the Extra Rinse option to add rinses. With a low spin speed the appliance performs delicate rinses and a short spin.
Centrifuga/Scarico	1400 rpm (1400 - 400)	9 kg	To spin the laundry and to drain the water in the drum. All fabrics, except woollens and delicate fabrics.
Lavaggio intensivo 60°C 90°C - Cold	1400 rpm (1400 - 400)	9 kg	Overalls, dungarees and working clothes. Intensive cycle with a prewash phase to remove dirt and solid soils.
Jeans 30°C 40°C - Cold	800 rpm (1200 - 400)	4 kg	Special programme for Denim clothing with delicate washing phase to minimize colour fading and marks. For better care a reduced load size is recommended.
Sport 30°C 40°C - Cold	1200 rpm (1200 - 400)	4 kg	Synthetic sport items. This programme is designed to gently wash modern outdoor sportswear and is also suitable for gym, cycling or jogging clothes or similar.

Programme Default temperature Temperature range	Reference spin speed Spin speed range (rpm)	Maximum load	Programme description (Type of load and level of soiling)
Piumoni 30°C 60°C - Cold	800 rpm (800 - 400)	3 kg	Special programme for synthetic or feather and down filled blanket, duvet, bedspread and so on. Use liquid delicate detergent, like wool detergent.
Outdoor  30°C 40°C - Cold	1200 rpm (1200 - 400)	2,5 kg ²⁾ 1 kg ³⁾	<p>Do not use fabric softener and make sure that there is no softener residue in the detergent dispenser.</p> <p>Outdoor clothing, technical, sport fabrics, waterproof and breathable jackets, shell jackets with a removable fleece or inner insulation. The recommended laundry load is 2,5 kg. This programme can also be used as water-repellent restoring cycle, specifically tailored for treating clothes with a hydrophobic coating. To perform the water-repellent restoring cycle, proceed as follows:</p> <ul style="list-style-type: none"> • Pour the washing detergent in the compartment . • Pour a special water-repellent restorer for fabric in the drawer compartment for fabric softener . • Reduce the laundry load to 1 kg. <p>To further improve the water repellency restoring action, dry the laundry in a tumble dryer by setting the Outdoor drying programme (if available and if the garment care label permits tumble drying).</p>
Hygiene  60°C	1400 rpm (1400 - 400)	9 kg	<p>White cotton items. This high-performance wash program combined with steam vapour, removes more than 99,99% of bacteria and viruses⁴⁾ keeping the temperature above 60°C throughout the washing phase; with an additional action on the fibers thanks to a vapour phase, an enhanced rinsing phase ensures a proper removal of detergent and micro-organism residues. This program ensures also a proper reduction of pollens/allergenic items.</p>

Programme Default temperature Temperature range	Reference spin speed Spin speed range (rpm)	Maximum load	Programme description (Type of load and level of soiling)
Eco 40-60 5)	1400 rpm (1400 - 400)	9 kg	White cotton and fast-coloured cotton. Normally soiled items. The energy consumption decreases and the time of the washing programme is extended, ensuring good washing results.

- 1) During this cycle the drum rotates slowly to ensure a gentle wash. It can seem that the drum doesn't rotate or doesn't rotate properly, but this is normal for this programme.
- 2) Washing programme.
- 3) Washing programme and waterproofing phase.
- 4) Tested for Staphylococcus aureus, Enterococcus faecium, Candida albicans, Pseudomonas aeruginosa and MS2 Bacteriophage in external test performed by Swissatest Testmaterialien AG in 2021 (Test Report No. 202120117).
- 5) According to Commission Regulation EU 2019/2023 and Ukrainian decree 834/2023 this programme at 40 °C is able to clean normally soiled cotton laundry declared to be washable at 40 °C or 60 °C, together in the same cycle. The temperature is not indicated and visible, it's set automatically.



- For the reached temperature in the laundry, the programme duration and other data, please refer to 'Consumption Values' chapter.
- The most efficient programmes in terms of energy consumption are generally those that perform at lower temperatures and longer duration.

Programme options compatibility


Programme	Centrifuga	---				Prelavaggio	Partenza Ritardata	Time Manager
FullWash 45'	■	■	■	■	■	■	■	
Cotoni	■	■	■	■	■	■	■	■
Sintetici	■	■	■	■	■	■	■	■
Delicati	■	■	■	■	■		■	
Lana/Seta	■	■	■				■	
Risciacquo	■	■	■		■		■	
Centrifuga/Scarico 1)	■	■					■	

Programme	Centrifuga					Prelavaggio	Partenza Ritardata	Time Manager
Lavaggio intensivo	■	■	■	■	■		■	■
Jeans	■	■	■	■	■		■	
Sport	■	■	■		■	■	■	
Piumoni	■	■					■	
Outdoor	■	■	■		■		■	
Hygiene	■	■	■		■		■	
Eco 40-60	■		■				■	

1) Set the spin speed. Make sure it is suitable for the type of fabric being washed. If you set the No Spin option then only the drain phase is available.

Suitable detergents for washing programmes

Programme	Universal powder 1)	Liquid Universal	Liquid for colours	Delicates woolens	Special
FullWash 45'	▲	▲	--	--	--
Cotoni	▲	▲	▲	--	--
Sintetici	▲	▲	▲	--	--
Delicati	--	--	--	▲	▲
Lana/Seta	--	--	--	▲	▲
Lavaggio intensivo	▲	▲	▲	--	--
Jeans	--	--	▲	▲	▲
Sport	--	▲	▲	--	▲
Piumoni	--	--	--	▲	▲
Outdoor	--	--	--	▲	▲

Programme	Universal powder 1)	Liquid Universal	Liquid for coloureds	Delicates woolens	Special lenses
Hygiene 	▲	▲	--	--	▲
Eco 40-60	▲	▲	▲	--	--

1) At temperature higher than 60 °C the use of powder detergent is recommended.

-- = Not recommended ▲ = Recommended

9. SETTINGS

9.1 Acoustic signals

This appliance has different acoustic signals, that operate when:

- You activate the appliance (special short tune).
- You deactivate the appliance (special short tune).
- You touch the buttons (click sound).
- You make an invalid selection (3 short sounds).
- The programme is completed (sequence of sounds for about 1 minute).
- The appliance has a malfunction (sequence of short sounds for about 5 minutes).


To **deactivate/activate** the acoustic signals set a one of the programme, touch the Time Manager and the Partenza Ritardata buttons simultaneously for about 2 seconds.



If you deactivate the acoustic signals, they continue to operate when the appliance has a malfunction.

9.2 Child Lock

With this option you can prevent children from playing with the control panel.


To **activate/deactivate** this option, hold down the Centrifuga button until  **comes on/goes off** on the display.

The appliance will default to this option after you switch it off.

The Child Lock function may not be available for a few seconds after switching the appliance on.

9.3 Permanent Extra Risciacquo

With this option you can permanently have an extra rinse when you set a new programme.

- To **activate/deactivate** this option, hold down the Prelavaggio button until relevant indicator  **comes on/goes off**.

9.4 Operating Hours Counter

It is possible to visualise the total operating time of the appliance in hours, starting from the first switching on. This value will count operating time of the cycles (does not include pauses, delayed start time). To visualise this value, proceed as follows:

1. Switch the appliance on by pressing On/Off button.
2. Turn the programme knob to any programme.
3. Press and hold the Temp. and Centrifuga buttons for some seconds (within 10 seconds after the switching on. After these 10 seconds, the key combination activates and deactivates the acoustic signals).
4. After 3 seconds the total hours operated by the appliance are shown in the display: e.g. 1276 hours, the display shows the text Hr for 2 seconds, 12 (thousands and hundreds) for 2 seconds and 76 (tens and units).



If the procedure does not work (due to timeout, wrong programme dial position or wrong keys combination), switch the appliance off and repeat sequence from the beginning.

9.5 Factory Reset

This function allows to restore the factory default options. To **activate** this option follow steps below:

1. Switch the appliance on by pressing On/Off button.
2. Turn the programme knob to any programme .

3. Press and hold the Centrifuga and Prelavaggio buttons for some seconds (within 10 seconds after the switching on. After these 10 seconds, the key combination activates and deactivates the acoustic signals).
4. The display will show - - - for about 5 seconds.



If the procedure does not work (due to timeout, wrong programme dial position or wrong keys combination), switch the appliance off and repeat sequence from the beginning.

10. DAILY USE



WARNING!

Refer to Safety chapters.

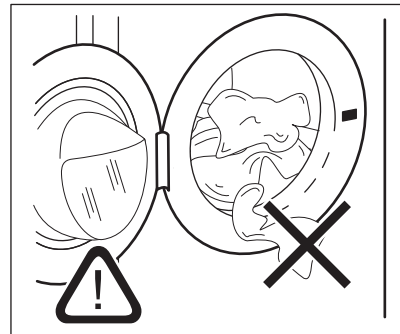
10.1 Activating the appliance

1. Connect the mains plug to the mains socket.
2. Open the water tap.
3. To activate the appliance press for a few seconds the button On/Off

A short tune sounds.

10.2 Loading the laundry

1. Open the appliance door.
 2. Empty the pockets and unfold the items before you put them in the appliance.
 3. Put the laundry in the drum, one item at a time.
- Do not put too much laundry in the drum.
4. Close the door firmly.

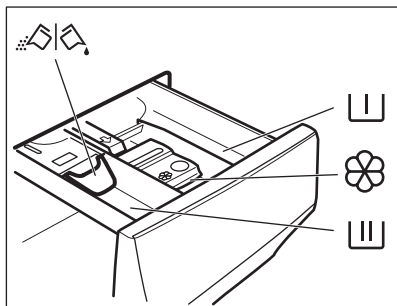


CAUTION!

-Make sure that no laundry gets caught between the seal and the door to avoid risk of water leakage and damage to the laundry.

-Washing heavily oiled, greasy stains or using fragrances perfume could cause damage to rubber parts of the washing machine.

10.3 Filling the detergent and additives



Compartment for prewash phase, soak programme or stain remover.



Compartment for washing phase.



Compartment for liquid additives (fabric conditioner, starch).

MAX Maximum level for quantity of liquid additives.



Flap for powder or liquid detergent.

1. Measure out specified detergents and the fabric conditioner.
2. Put the detergent and the fabric conditioner into the proper compartments.



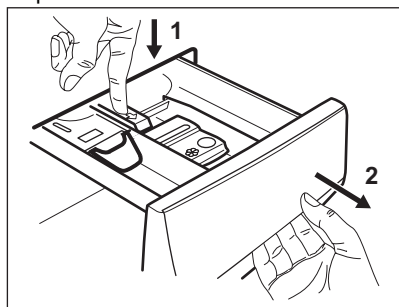
-Always follow the instructions that you find on the packaging of the detergent products, but we recommend that you do not exceed the maximum indicated level **MAX**. This quantity will however guarantee the best washing results.



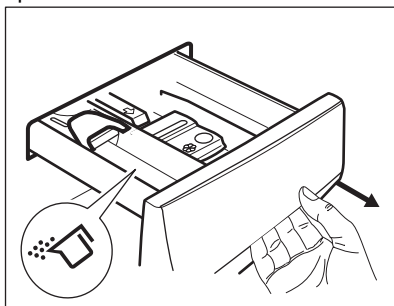
-After a washing cycle, if necessary, remove any detergent residue from the detergent dispenser.

10.4 Check the position of the detergent flap

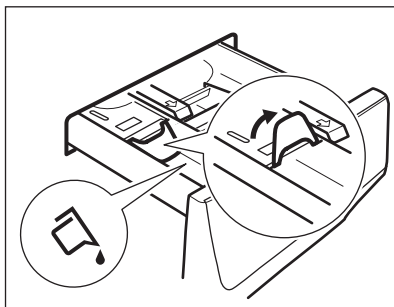
1. Pull out the detergent dispenser until it stops.
2. Press the lever down to remove the dispenser.



3. To use powder detergent, turn the flap up.



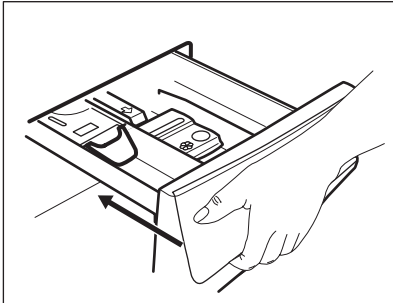
4. To use liquid detergent, turn the flap down.



With the flap in the position **DOWN**:

- Do not use gelatinous or thick liquid detergents.
- Do not exceed to liquid detergent dose indicated on the flap.
- Do not set the prewash phase.


- Do not set the delay start function.
5. Measure out the detergent and the fabric conditioner.
 6. Carefully close the detergent dispenser.



Make sure that the flap does not cause a blockage when you close the drawer.

10.5 Setting a programme

1. Turn the programme dial to select the desired washing programme.

The indicator of the Avvio/Pausa  button flashes.

The display shows an indicative programme duration.

2. To change the temperature and/or the spin speed, touch the related buttons.
3. If desired, set one or more options by touching the related buttons. The related indicators illuminate on the display and the given information changes accordingly.



If a selection is **not possible** an acoustic signal sounds and the display shows



— — —

10.6 Additional information about daily use

The SensiCare System load detection


The SensiCare System starts estimating the weight of the load to calculate the real programme duration. The appliance automatically adjusts the programme duration to the load to achieve perfect washing results in the minimum possible time. The SensiCare System is not available in programmes with short cycles.

Starting a programme



Touch the Avvio/Pausa  button to start the programme. The related indicator stops flashing and stays on. The programme starts, the door is locked. The display shows the indicator The programme starts, the door is locked. The display shows the indicator .

Starting a programme with delay start



1. Touch the Partenza Ritardata  button repeatedly until the display shows the desired delay time.

2. Touch the Avvio/Pausa  button. The appliance door locks and starts the countdown of the delay start. When the countdown is completed, the programme starts automatically.





Interrupting a programme and changing the options.

1. When the programme is running, you can change only some options. Touch the Avvio/Pausa  button.
2. Change the options. The given information in the display changes accordingly
3. Touch the Avvio/Pausa  again. The washing programme continues.

Cancelling a running programme



- Press the button On/Off  button to cancel the programme and to deactivate the appliance. Press again to activate the appliance.
- Rotate the selection knob to the "reset" position activate the appliance . Wait 2 second. Now you can set a new washing programme.

End of the programme

- The appliance stops automatically. In the display  comes on. The acoustic signals operate (if they are active).
- The indicator of the Avvio/Pausa  button goes off. The door locked  goes off and the door unlocks.
- Press the On/Off  button for some seconds to deactivate the appliance. Keep the door and the detergent dispenser slightly ajar to prevent mildew and odours.

Draining water out after end of cycle

If you have chosen a programme or an option that does not empty out the water of the last rinse you must remember to drain the water:

- Touch button Centrifuga to decrease the spin speed proposed by the appliance
- Press the Avvio/Pausa 
- When the programme is completed and the door locked indicator  goes off, you can open the door.

- On/Off to deactivate the appliance.

Stand-by function

The Stand-by function automatically deactivates the appliance to reduce the energy consumption.

11. CARE AND CLEANING

WARNING!

Refer to Safety chapters.



Read the chapter carefully for best maintenance and care.

11.1 Periodic cleaning schedule

Periodic cleaning helps to extend the life of your appliance.

After each cycle, keep the door and the detergent dispenser slightly ajar to get air circulation and dry the humidity inside the appliance: this will prevent mildew and odours.

If the appliance is not used for a long time: close the water tap and unplug the appliance.

Indicative periodic cleaning schedule:

Descaling	Twice a year
Maintenance wash	Once a month
Clean door seal	Every two months
Clean drum	Every two months
Clean detergent dispenser	Every two months
Clean drain pump filter	Twice a year
Clean the inlet hose and the valve filter	Twice a year

The following paragraphs explain how you should clean each part.

11.2 Removing foreign objects



Make sure that pockets are empty and all loose elements are tied up before running your cycle.

Remove any foreign objects (such as metal clip, buttons, coins, etc) that you may find in the door seal, the filters and the drum. Refer to "Door seal with double lip trap", "Cleaning the drum", "Cleaning the drain pump filter" and "Cleaning the inlet hose and the valve filter" paragraphs. Be careful with curtains. Remove the hooks and put the curtains in a washing bag or pillowcase. If necessary, please contact the Authorised Service Centre.

11.3 External cleaning

Clean the appliance with mild soap and warm water only. Fully dry all the surfaces. Do not use a scouring pads or any scratching material.

CAUTION!

Do not use alcohol, solvents or chemical products.

CAUTION!

Do not clean the metal surfaces with chlorine-based detergent.

11.4 Descaling



If the water in your area is hard or medium hard, we recommend that you use a water softener for washing machines.

Regularly examine the drum to check for limescale.

Regular detergents already contain water softening agents, but we recommend to run a cycle with an empty drum and a descaling product.



Always follow the instructions that you find on the packaging of the product.

11.5 Maintenance wash

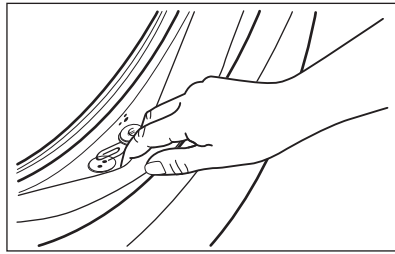
The repeated and prolonged use of low temperature programmes can cause detergent deposits, fluff residues, bacterial growth inside the drum and the tub. This could generate bad odours and mildew. To eliminate these deposits and clean the inner part of the appliance, run a maintenance wash regularly (at least once a month).



Refer to "Cleaning the drum" paragraph.

11.6 Door seal with double lip trap

This appliance is designed with a **self cleaning draining system**, allowing light fluff fibers that fall off the clothes to be drained out with the water. Regularly examine the seal and if necessary clean as described in the following diagram. Coins, buttons, other small items can be recovered at the end of the cycle.



Clean it when needed, using ammonia cream cleanser agent without scratching the seal surface.



Always obey the instructions that you find on the packaging of the product.

Check and remove objects (if there are any) that could be trapped in the fold.

Make sure that no laundry remains between the seal and the door.

Use a moist cloth to wipe off any dirt or water residue left behind in the door seal after completion of program cycle.

11.7 Cleaning the drum

Regularly examine the drum to prevent unwanted deposits.

Rust deposits in the drum may occur due to rusting foreign body in the washing or tap water containing iron

Clean the drum with special products for stainless steel.



Always follow the instructions that you find on the packaging of the product.
Do not clean the drum with acidic descaling products, scouring products containing chlorine or iron or steel wool.

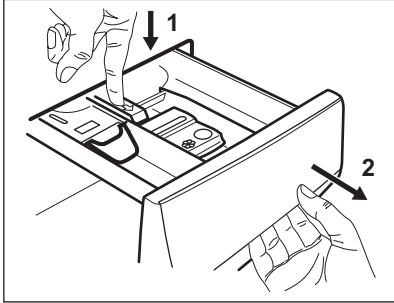
For a thorough clean:

1. Remove all laundry from the drum.
2. Run a Cotoni programme with the highest temperature.
3. You can add special detergent dedicate to clean the drum in order to rinse out any left residues.

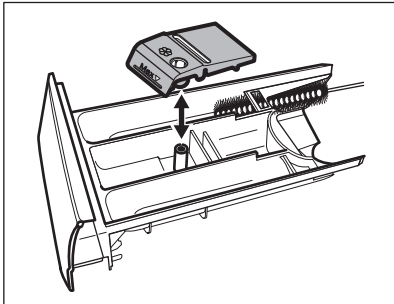
11.8 Cleaning the detergent dispenser

To prevent possible deposits of dried detergent or clotted fabric softener and/or formation of mould in the detergent dispenser drawer, every two months carry out the following cleaning procedure how explained in the following diagrams.

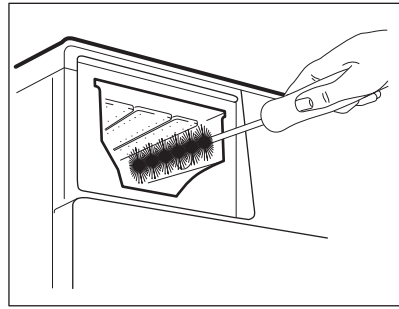
1. Open the drawer. Press the catch downwards as indicated in the picture and pull it out.



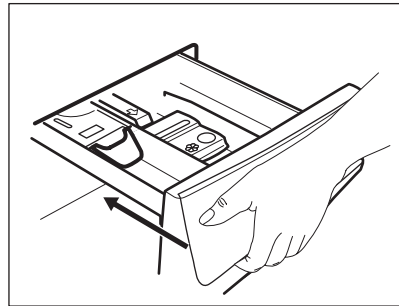
2. Remove the top part of the additive compartment to aid cleaning and flush it out under running warm water, to remove any traces of accumulated detergent. After cleaning, put the top part back into position.



3. Make sure that all detergent residue is removed from the upper and lower part of the recess. Use a small brush to clean the recess.



4. Insert the detergent drawer into the guide rails and close it. Run the rinsing programme without any clothes in the drum.



11.9 Cleaning the drain pump filter

Regularly check the drain pump filter and make sure that it is clean.

Clean the drain pump filter if:

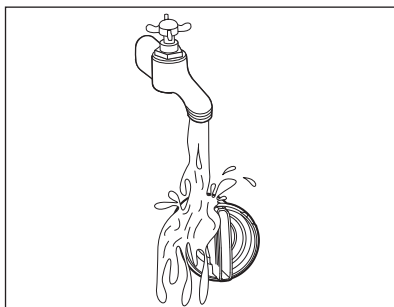
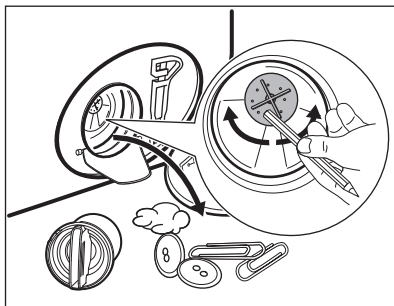
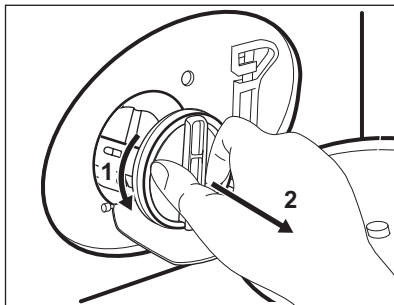
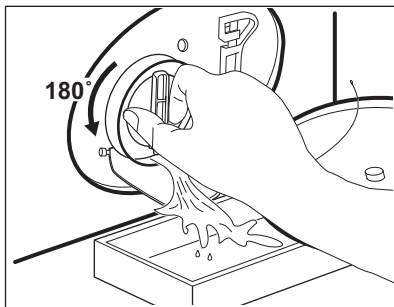
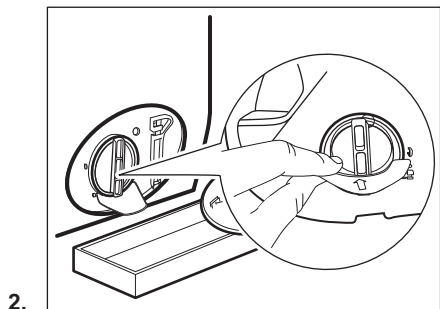
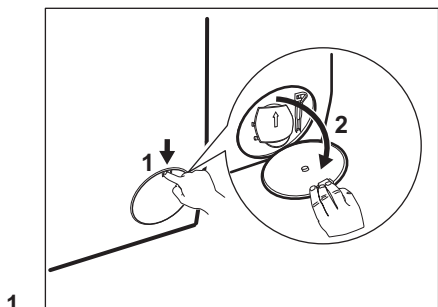
- The appliance does not drain the water.
- The drum does not turn.
- The appliance makes an unusual noise because of the blockage of the drain pump.
- The display shows the alarm code **E20**

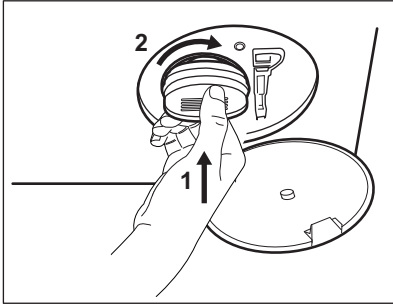
⚠ WARNING!

- Disconnect the mains plug from the mains socket.
- Do not remove the filter while the appliance operates.
- Do not clean the pump if the water in the appliance is hot. Wait until the water cools down .
- Repeat Step 3 several times by closing and opening the valve until the water stops flowing out.

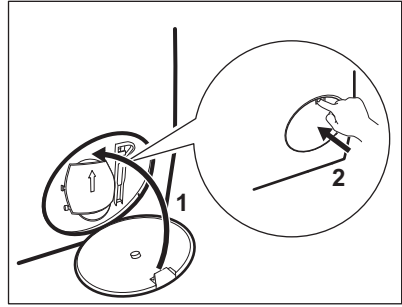
Always keep a rag nearby to dry up any water spillages when removing the filter.

Proceed as following diagrams to clean the pump filter:





7.



8.

⚠ WARNING!

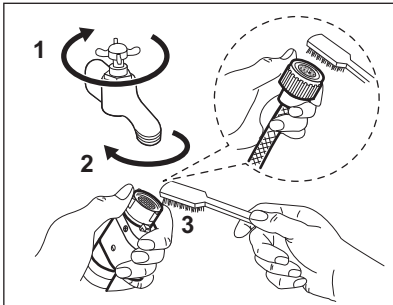
Make sure that the impeller of the pump can rotate. If it does not rotate, contact the Authorised Service Centre. Make sure also that you tighten the filter correctly to prevent leakages.

11.10 Cleaning the inlet hose and the valve filter

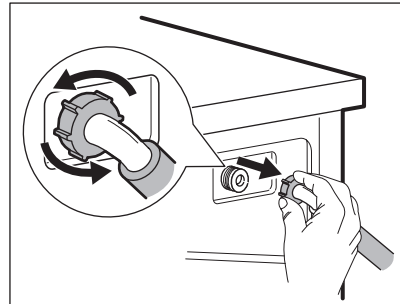


It is recommended to clean both filters of the inlet hose and valve twice a year to remove any deposit, collected over the time. Proceed following diagrams to clean filters:

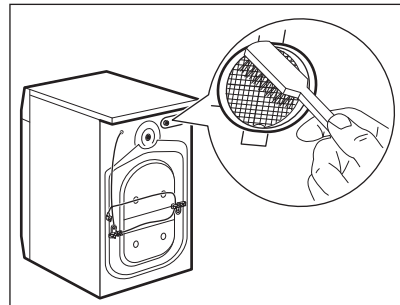
1.



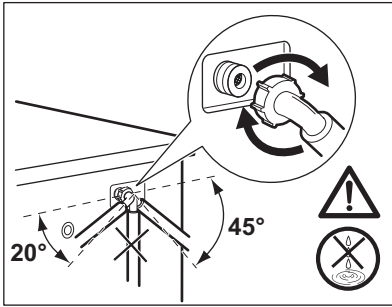
2.



3.



4.



11.11 Emergency drain

If the appliance cannot drain the water, carry out the same procedure, described in "Cleaning the drain pump filter" paragraph. If necessary, clean the pump.

11.12 Frost precautions

If the appliance is installed in an area where the temperature can reach values around 0°

C or drop below, remove the remaining water from the inlet hose and the drain pump.

1. Disconnect the mains plug from the mains socket.
2. Close the water tap.
3. Put the two ends of the inlet hose in a container and let the water flow out of the hose.
4. Empty the drain pump. Refer to the emergency drain procedure.
5. When the drain pump is empty, install the inlet hose again.

WARNING!

Make sure that the temperature is higher than 0 °C before you use the appliance again.

The manufacturer is not responsible for damages caused by low temperatures.

12. CONSUMPTION VALUES

12.1 Comment



The QR code on the energy label supplied with the appliance provides a web link to the information related to the performance of the appliance in the EU EPREL database. Keep the energy label for reference together with the user manual and all other documents provided with this appliance.

It is also possible to find the same information in EPREL using the link <https://eprel.ec.europa.eu> and the model name and product number that you find on the rating plate of the appliance.



Values and programme duration may differ depending on different conditions (e.g. room temperature, water temperature and pressure, load size and type of laundry, supply voltage) and also if you change the default setting of a programme.

12.2 According to Commission Regulation Eu 2019/2023 and all new accompanying standards in cooperating markets (*)

Eco 40-60 programme	kg	kWh	Litres	hh:mm	% 1)	°C	rpm ²⁾
Full load	9	0.760	64.0	3:40	53.00	33	1351
Half load	4,5	0.440	47.0	2:45	53.00	27	1351
Quarter load	2,5	0.300	39.0	2:35	54.00	26	1351

1) Remaining moisture at the end of the spinning phase. The higher is the spin speed, the higher is the noise and the lower is the remaining moisture.

2) Maximum spin speed.

12.3 Common programmes



These values are indicative only.

Programme	kg	kWh	Litres	hh:mm	% 1)	°C	rpm ²⁾
Cotoni ³⁾ 90°C	9	2.75	85.0	4:00	52.00	85	1400
Cotoni 60°C	9	1.65	80.0	3:30	52.00	55	1400
Cotoni ⁴⁾ 20°C	9	0.35	80.0	3:00	52.00	20	1400
Sintetici 40°C	4	0.85	75.0	2:30	35.00	40	1200
Delicati ⁵⁾ 30°C	2	0.35	60.0	1:25	35.00	30	1200
Lana/Seta 30°C	1,5	0.30	70.0	1:05	30.00	30	1200

(*) UK Ecodesign for Energy-Related Products and Energy Information Regulations; Ukrainian decree 834/2023; AS/NZS2040 and AS/NZS6400

The temperatures and the loads are set automatically and may not visible for all models.

1) Remaining moisture at the end of the spinning phase. The higher is the spin speed, the higher is the noise and the lower is the remaining moisture.

2) Reference indicator of the spin speed.

3) Suitable for washing heavily soiled textiles.

4) Suitable for washing lightly soiled cottons, synthetic and mixed fabrics.

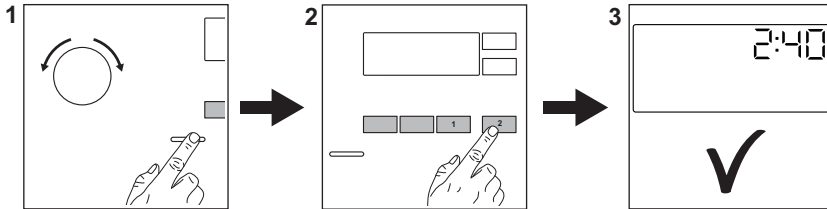
5) It also performs as quick washing cycle for lightly soiled laundry.

Off (W)	Stand-by (W)	Delay start (W)
0.50	0.50	4.00

Time to Off/Standby mode is 15 minutes maximum.

13. QUICK GUIDE

13.1 Daily use




Connect the mains plug to the mains socket.

Open the water tap.

Load the laundry.

Pour the detergent and other treatment in the proper compartment of the detergent dispenser.

1. Push the On/Off button to switch the appliance on.
2. Turn the programme dial to set the desired programme.
3. Set the desired options, by means of the corresponding touch buttons. To start the programme, touch the  button
4. The appliance starts.

At the end of the programme, remove the laundry.

Push the On/Off button to switch the appliance off.

13.2 Care and cleaning

Periodic cleaning schedule will help to extend the life of your appliance.

After each cycle, keep the door and the detergent dispenser slightly ajar to get air circulation and dry the humidity inside the appliance: this will prevent mildew and odours.

If the appliance is not used for a long time: close the water tap and unplug the appliance.

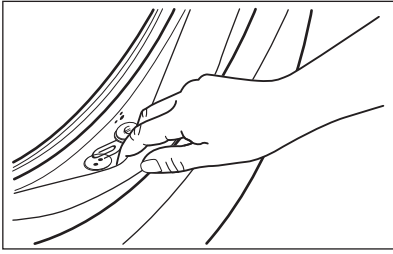
Descaling	Twice a year
Maintenance wash	Once a month
Clean door seal	Every two months
Clean drum	Every two months
Clean detergent dispenser	Every two months
Clean drain pump filter	Twice a year
Clean the inlet hose and the valve filter	Twice a year

Keep clear the plastic parts, especially near the detergent drawer area, remove excess spillage.

The following paragraphs explain how you should clean some part.

Door seal with double lip trap

This appliance is designed with a **self cleaning draining system**, allowing light fluff fibers that fall off the clothes to be drained out with the water. Regularly examine the seal and if necessary clean as described in the following diagram. Coins, buttons, other small items can be recovered at the end of the cycle.



Clean it when needed, using ammonia cream cleanser agent without scratching the seal surface.



Always obey the instructions that you find on the packaging of the product. Check and remove objects (if there are any) that could be trapped in the fold. Make sure that no laundry remains between the seal and the door. Use a moist cloth to wipe off any dirt or water residue left behind in the door seal after completion of program cycle.

Removing foreign objects

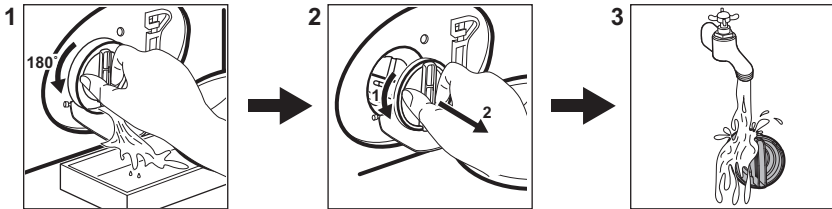


Make sure that pockets are empty and all loose elements are tied up before running your cycle.


Remove any foreign objects (such as metal clip, buttons, coins, etc) that you may find in the door seal, the filters and the drum. If necessary, please contact the Authorised Service Centre.



Cleaning the drain pump filter

Clean the filter regularly and, especially, if the alarm code **E20** appears on the display.



13.3 Programmes

Programme	Load	Product description
FullWash 45'	9 kg	Mixed fabrics, ideal for coloured cotton and synthetics and daily wear with light soil level. This programme will clean at 30°C in just 45 minutes. You will achieve the best results by washing small amounts clothes.
Cotoni	9 kg	White and coloured cotton fabrics. Ideal for normal and heavy soil.
Sintetici	4 kg	Synthetic items or mixed fabric items.
Delicati	2 kg	Delicate fabrics such as acrylics, viscose, polyester items.
Lana/Seta 	1,5 kg	Machine washable wool, hand washable wool and delicates.

Programme	Load	Product description
Risciacquo	9 kg	All fabrics, except woollens and very delicate fabrics. Programme for rinsing and spinning.
Centrifuga/Scario	9 kg	All fabrics, except woollens and very delicate fabrics. Programme for spinning and draining the water.
Lavaggio intensivo	9 kg	Overalls, dungarees and working clothes. Intensive cycle with a prewash phase to remove dirt and solid soils.
Jeans	4 kg	Denim clothing and jersey items.
Sport	4 kg	Sportswear.
Piumoni	3 kg	Single synthetic blanket, bedspread, duvet.
Outdoor 	2,5 kg ¹⁾ 1 kg ²⁾	Modern outdoor sporting garments.
Hygiene 	9 kg	White cotton items. This programme removes more than 99,99% of bacteria and viruses ³⁾
Eco 40-60 ⁴⁾	9 kg	White and coloured cottons. Normally soiled garments.

1) Washing programme.

2) Washing programme and waterproofing phase.

3) Tested for Staphylococcus aureus, Enterococcus faecium, Candida albicans, Pseudomonas aeruginosa and MS2 Bacteriophage in external test performed by Swisstest Testmaterialien AG in 2021 (Test Report No. 202120117).

4) According to Commission Regulation EU 2019/2023 and Ukrainian decree 834/2023 this programme at 40 °C is able to clean normally soiled cotton laundry declared to be washable at 40 °C or 60 °C, together in the same cycle. The temperature is not indicated and visible, it's set automatically.






- For the reached temperature in the laundry, the programme duration and other data, please refer to 'Consumption Values' chapter.
- The most efficient programmes in terms of energy consumption are generally those that perform at lower temperatures and longer duration.

Loading the appliance to the maximum capacity indicated for each programmes

helps to reduce energy and water consumption.

Suitable detergents for washing programmes

Programme	Universal powder ¹⁾	Liquid Universal	Liquid for coloureds	Delicates woolens	Special
FullWash 45'	▲	▲	--	--	--
Cotoni	▲	▲	▲	--	--
Sintetici	▲	▲	▲	--	--

Programme	Universal powder 1)	Liquid Universal	Liquid for colours	Delicates woolens	Special lens
Delicati	--	--	--	▲	▲
Lana/Seta 	--	--	--	▲	▲
Lavaggio intensivo	▲	▲	▲	--	--
Jeans	--	--	▲	▲	▲
Sport	--	▲	▲	--	▲
Piumoni	--	--	--	▲	▲
Outdoor 	--	--	--	▲	▲
Hygiene 	▲	▲	--	--	▲
Eco 40-60	▲	▲	▲	--	--

1) At temperature higher than 60 °C the use of powder detergent is recommended.

-- = Not recommended ▲ = Recommended

13.4 Detergent type and quantity.

- Use only detergents and other treatments specially made for washing machines.

First, follow these generic rules:

- powder detergents (also tablets and single-dose detergents) for all types of fabric, excluding delicate. Prefer powder detergents containing bleach for whites and laundry sanitization,
- liquid detergents (also single-dose detergents), preferably for low temperature wash programmes (60 °C max) for all types of fabric, or special ones for woollens only.
- Do not mix different types of detergents.
- Use less detergent if:

- you are washing a small load,
- the laundry is lightly soiled,
- there is large amounts of foam during washing.

- When using detergent tabs or pods, always put them inside the drum, not in the detergent dispenser and follow the manufacturer's recommendations.

Insufficient detergent may cause:

- unsatisfactory washing results,
- the wash load to turn grey,
- greasy clothes,
- mould in the appliance.

Excessive detergent may cause:

- sudsing,
- reduced washing effect,
- inadequate rinsing,
- a greater impact for the environment.

13.5 Alarm Codes and possible failures


The appliance does not start or it stops during operation. First try to find a solution to the problem (refer to the tables).


WARNING!

Deactivate the appliance before carrying out any check.

Problem	Possible solution
E 10 The appliance does not fill with water properly.	<ul style="list-style-type: none"> • Make sure that the water tap is open. • Make sure that the pressure of the water supply is not too low. For this information, contact your local water authority. • Make sure that the water tap is not clogged. • Make sure that the inlet hose has no kinks, damages or bends. • Make sure that the connection of the water inlet hose is correct. • Make sure that the filter of the inlet hose and the filter of the valve are not clogged.
E20 The appliance does not drain the water.	<ul style="list-style-type: none"> • Make sure that the sink spigot is not clogged. • Make sure that the drain hose has no kinks or bends. • Make sure that the drain filter is not clogged. Clean the filter, if necessary. • Make sure that the connection of the drain hose is correct. • Set the drain programme if you set a programme without drain phase. • Set the drain programme if you set an option which ends with water in the tub.
E40 The appliance door is open or not closed correctly.	<ul style="list-style-type: none"> • Make sure that the door is properly closed.
E9 1 Internal fail. No communication between the electronic elements of the appliance.	<ul style="list-style-type: none"> • The programme was not finished properly or the appliance stopped too early. Switch the appliance off and on again. • If the alarm code appears again, contact the Authorised Service Centre.
EKO The mains supply is unstable.	<ul style="list-style-type: none"> • Wait until mains supply is stable.
EFO The anti-flood device is on.	<ul style="list-style-type: none"> • Disconnect the appliance and close the water tap. Contact the Authorised Service Centre.
If the problem persists, contact the Authorised Service Centre. The necessary data for the service centre are on the rating plate	
*Some alarm codes may not occur. Subject to change without notice.	

14. ENVIRONMENTAL CONCERNS

Recycle materials with the symbol . Put the packaging in relevant containers to recycle it. Help protect the environment and human health by recycling waste of electrical and electronic appliances. Do not dispose of

appliances marked with the symbol  with the household waste. Return the product to your local recycling facility or contact your municipal office.

Ti diamo il benvenuto in Electrolux! Grazie per aver scelto di acquistare questo prodotto.



Nel nostro intento di essere sostenibili stiamo riducendo le risorse cartacee e forniamo manuali d'uso completi online. È possibile accedere al manuale d'uso completo all'indirizzo **electrolux.com/manuals**



Ricevi consigli per l'uso, scarica i nostri opuscoli, elimina eventuali anomalie, ottieni informazioni sull'assistenza tecnica e la riparazione su **electrolux.com/support**



Acquista accessori, materiali di consumo e ricambi originali per la tua apparecchiatura su **electrolux.com/shop**

Con riserva di modifiche.

INDICE

1. INFORMAZIONI PER LA SICUREZZA.....	34
2. ISTRUZIONI DI SICUREZZA.....	36
3. DESCRIZIONE DEL PRODOTTO.....	39
4. INFORMAZIONI TECNICHE.....	40
5. INSTALLAZIONE.....	40
6. PANNELLO DEI COMANDI.....	44
7. SELETTORE E TASTI.....	45
8. PROGRAMMI.....	47
9. IMPOSTAZIONI.....	51
10. USO QUOTIDIANO.....	52
11. CURA E PULIZIA.....	55
12. VALORI DI CONSUMO.....	60
13. GUIDA RAPIDA.....	62
14. CONSIDERAZIONI SULL'AMBIENTE.....	67

1. ⚠ INFORMAZIONI PER LA SICUREZZA



Prima di iniziare, leggere attentamente le istruzioni fornite prima di installare e utilizzare l'apparecchiatura. I produttori non sono responsabili di eventuali lesioni o danni derivanti da un'installazione o un uso scorretti. Conservare sempre le istruzioni in un luogo sicuro e accessibile per poterle consultare in futuro.

1.1 Sicurezza dei bambini e delle persone vulnerabili

- Quest'apparecchiatura può essere usata da bambini a partire da 8 anni di età e da adulti con capacità fisiche,

- sensoriali o mentali limitate o con scarsa esperienza e conoscenza sull'uso dell'apparecchiatura, solamente se sorvegliati o se istruiti relativamente all'utilizzo in sicurezza dell'apparecchiatura e se hanno compreso i rischi coinvolti.
- I bambini tra i 3 e gli 8 anni e le persone con disabilità diffuse e complesse vanno tenuti lontani dall'apparecchiatura, a meno che non vi sia una supervisione continua.
 - Tenere i bambini al di sotto dei 3 anni lontani dall'apparecchiatura, a meno che non vi sia una supervisione continua.
 - Controllare che i bambini non giochino con l'apparecchiatura.
 - Tenere gli imballaggi lontano dai bambini e smaltirli in modo adeguato.
 - Tenere i detersivi lontani dalla portata dei bambini.
 - Tenere i bambini e gli animali domestici lontani dall'apparecchiatura quando la porta è aperta.
 - Se l'elettrodomestico ha un dispositivo di sicurezza per i bambini sarà opportuno attivarlo.
 - I bambini non devono eseguire interventi di pulizia e manutenzione sull'elettrodomestico senza essere supervisionati.

1.2 Avvertenze di sicurezza generali

- Quest'apparecchiatura è destinata esclusivamente al lavaggio domestico in lavatrice.
- Quest'apparecchiatura è progettata per un uso domestico singolo in un ambiente interno.
- Quest'apparecchiatura può essere utilizzata in uffici, camere d'albergo, camere di bed & breakfast, alloggi in agriturismi e altre sistemazioni simili in cui tale utilizzo non superi i livelli di utilizzo domestico (medi).
- Non modificare le specifiche tecniche dell'apparecchiatura.

- Il carico massimo dell'apparecchiatura è 9 kg. Non superare il carico massimo di ciascun programma (fare riferimento al capitolo "Programmi").
- La pressione di funzionamento dell'acqua nel punto di ingresso dal collegamento esterno deve essere compresa fra 0,5 bar (0,05 MPa) e 10 bar (1,0 MPa).
- Le aperture di ventilazione alla base non devono essere coperte da un tappeto, da una moquette o da eventuali rivestimenti per pavimenti.
- L'apparecchiatura deve essere collegata alla presa dell'acqua servendosi dei set di tubi nuovi forniti in dotazione o altri set di tubi nuovi forniti dal Centro Assistenza Autorizzato.
- I vecchi tubi non devono essere riutilizzati.
- Se il cavo di alimentazione è danneggiato, deve essere sostituito dal produttore, da un centro di assistenza tecnica autorizzato o da una persona qualificata per evitare situazioni di pericolo elettrico.
- Prima di eseguire qualunque intervento di manutenzione, spegnere l'apparecchiatura ed estrarre la spina dalla presa dell'alimentazione di rete.
- Non usare getti d'acqua ad alta pressione e/o vapore per pulire l'apparecchiatura.
- Pulire l'apparecchiatura con un panno inumidito. Utilizzare solo detersivi neutri. Non usare prodotti abrasivi, spugnette abrasive, solventi od oggetti metallici.
- Qualora un'asciugatrice sia posizionata sopra alla lavatrice, accertarsi di usare il kit di installazione in colonna approvato da ELECTROLUX.

2. ISTRUZIONI DI SICUREZZA

2.1 Installazione



L'installazione deve essere conforme alle normative nazionali pertinenti.

- Togliere i bulloni dell'imballaggio e di trasporto, comprese le boccole in gomma col distanziatore di plastica.
- Tenere i bulloni di transito in un luogo sicuro. Se l'apparecchiatura va spostata in futuro dovranno essere nuovamente fissati per evitare che il cesto causi danni interni.

- Prestare sempre attenzione in fase di spostamento dell'apparecchiatura, dato che è pesante. Usare sempre i guanti di sicurezza e le calzature adeguate.
- Attenersi alle istruzioni fornite insieme all'apparecchiatura.
- Non installare o utilizzare l'apparecchiatura se è danneggiata.
- Non installare o utilizzare l'apparecchiatura in ambienti in cui la temperatura è al di sotto di 0°C o all'aperto.
- L'area di pavimento dove sarà installata l'apparecchiatura deve essere piana, stabile, resistente al calore e pulita.
- Accertarsi che l'aria circoli liberamente tra l'apparecchiatura e il pavimento.
- Una volta posizionata l'apparecchiatura, verificare che sia in piano utilizzando una livella. Se l'apparecchiatura non è in piano, regolare i piedini di conseguenza.
- Non installare l'apparecchiatura direttamente sullo scarico a pavimento.
- Non spruzzare acqua sull'apparecchiatura e non esporla a eccessiva umidità.
- Non installare l'apparecchiatura in condizioni in cui non è possibile aprire completamente la porta dell'apparecchiatura stessa.
- Non collocare un contenitore chiuso sotto l'apparecchiatura per raccogliere possibili perdite. Contattare il Centro di Assistenza autorizzato per sapere quali accessori si possono utilizzare.

2.2 Collegamento elettrico



AVVERTENZA!

Rischio di incendio e scossa elettrica.

- **AVVERTENZA:** Questa apparecchiatura è progettata per essere installata/collegata a un collegamento di messa a terra dell'edificio.
- Utilizzare sempre una presa con contatto di protezione correttamente installata.
- Assicurarsi che i parametri sulla targhetta siano compatibili con i valori nominali della rete elettrica.
- Non utilizzare prese multiple e prolunghe.
- Accertarsi di non danneggiare la spina e il cavo di alimentazione. Se il cavo di alimentazione deve essere sostituito,

l'operazione deve essere effettuata dal nostro centro di assistenza tecnica autorizzato.

- Inserire la spina di alimentazione nella presa solo al termine del processo di installazione. Verificare che la spina di alimentazione rimanga accessibile dopo l'installazione.
- Non toccare il cavo di alimentazione o la spina di alimentazione con le mani bagnate.
- Non scollegare l'apparecchiatura tirando il cavo di alimentazione. Staccare sempre la spina di alimentazione.

2.3 Collegamento dell'acqua

- L'acqua in ingresso non deve avere una temperatura superiore ai 25 °C.
- Non danneggiare i tubi dell'acqua.
- Prima di eseguire il collegamento a tubi nuovi, tubi non usati a lungo, dove sono stati eseguiti interventi di riparazione o sono stati inseriti dispositivi nuovi (misuratori dell'acqua, ecc.), lasciar scorrere l'acqua fino a che non sarà trasparente e limpida.
- Verificare che non vi siano perdite visibili durante e dopo il primo uso dell'apparecchiatura.
- Non usare una prolunga se i tubi di carico dell'acqua sono troppo corti. Contattare il Centro di Assistenza autorizzato per sostituire il tubo di carico dell'acqua.
- In fase di disimballaggio dell'apparecchiatura si può vedere dell'acqua fuoriuscire dal tubo di scarico. Questa condizione è imputabile alle prove con acqua eseguite sulle apparecchiature in fabbrica.
- È possibile prolungare il tubo di scarico fino a un massimo di 400 cm. Contattare il Centro di Assistenza autorizzato per l'altro tubo di scarico e la prolunga.
- Verificare che il rubinetto rimanga accessibile dopo l'installazione.
- Chiudere il rubinetto dell'acqua dopo ogni utilizzo dell'apparecchiatura.

2.4 Utilizzo

AVVERTENZA!

Vi è il rischio di lesioni, scosse elettriche, incendi, ustioni o danni all'apparecchiatura.

- Attenersi alle istruzioni di sicurezza riportate sulla confezione del detersivo.
- Non appoggiare o tenere liquidi o materiali infiammabili, né oggetti facilmente infiammabili sull'apparecchiatura, al suo interno o nelle immediate vicinanze.
- Non lavare i tessuti molto sporchi di olio, grasso o altre sostanze oleose. Può danneggiare le parti in gomma dell'apparecchiatura. Pre-lavare questi tessuti prima di metterli nell'apparecchiatura.
- Non utilizzare profumi per bucato per evitare il rischio di danneggiare parti in plastica e gomma dell'apparecchiatura.
- Non toccare il vetro dell'oblò quando è in corso un programma. Il vetro può surriscaldarsi.
- Verificare che tutti gli oggetti metallici vengano tolti dal bucato.

2.5 Assistenza

- Per far riparare l'apparecchiatura, rivolgersi a un Centro di Assistenza Autorizzato. Utilizzare solo ricambi originali.
- Tenere presente che la riparazione autonoma o non professionale possono avere conseguenze sulla sicurezza e potrebbero invalidare la garanzia.
- I pezzi di ricambio seguenti sono disponibili per almeno 10 anni dopo l'interruzione della produzione del modello: motore e spazzole del motore, trasmissione tra motore e tamburo, pompe, ammortizzatori e molle, tamburo di lavaggio, albero del tamburo e relativi cuscinetti a sfera, riscaldatori ed elementi riscaldanti, comprese pompe di calore,

tubazioni e relative attrezzature, compresi tubi flessibili, valvole, filtri e acquastop, circuiti stampati, display elettronici, pressostati, termostati e sensori, software e firmware compreso il software di reset, porta, cerniera della porta e guarnizioni, altre guarnizioni, gruppo di chiusura della porta, periferiche in plastica come i distributori di detersivi. La durata potrebbe essere più lunga nel tuo Paese. Per ulteriori informazioni visita il nostro sito web.

- Si prega di notare che alcuni di questi pezzi di ricambio sono disponibili solo per i riparatori professionisti e che non tutti i pezzi di ricambio sono rilevanti per tutti i modelli.
- Informazioni relative alla lampadina (o lampadine) all'interno di questo prodotto e alle lampadine di ricambio vendute separatamente: queste lampadine sono progettate per resistere a condizioni fisiche estreme negli elettrodomestici, come temperatura, vibrazioni, umidità o sono destinate a segnalare informazioni sullo stato operativo dell'elettrodomestico. Non sono destinate all'uso in altre applicazioni e non sono idonee per l'illuminazione di ambienti domestici.

2.6 Smaltimento

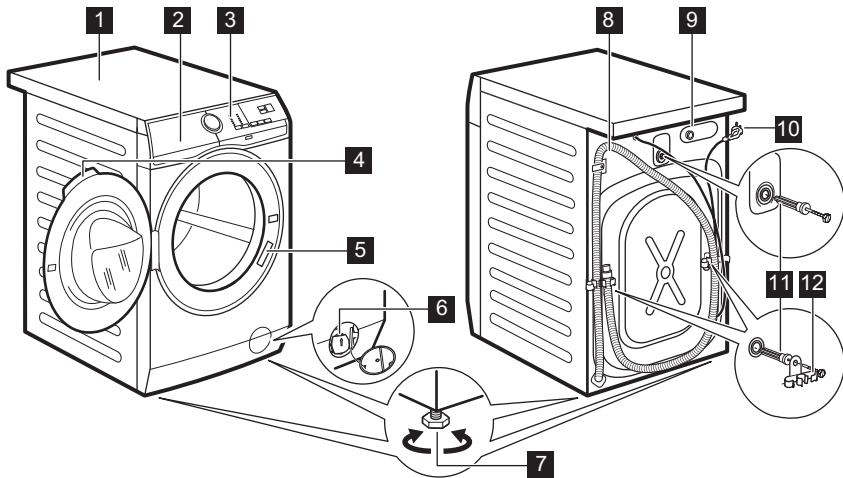
AVVERTENZA!

Rischio di lesioni o soffocamento.

- Staccare la spina dall'alimentazione elettrica e idrica.
- Tagliare il cavo elettrico in prossimità dell'apparecchiatura e gettarlo.
- Togliere il blocco porta per evitare che bambini o animali restino intrappolati nel cestello.
- Smaltire l'apparecchiatura in conformità coi requisiti locali per lo smaltimento di componenti elettrici ed elettronici (WEEE).

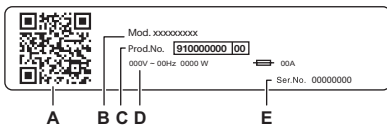
3. DESCRIZIONE DEL PRODOTTO

3.1 Panoramica apparecchiatura



- 1** Piano di lavoro
- 2** Erogatore del detersivo
- 3** Pannello comandi
- 4** Maniglia dell'oblò
- 5** Targhetta dei dati
- 6** Filtro della pompa di scarico
- 7** Per mettere in piano l'elettrodomestico

- 8** Tubo di scarico
- 9** Collegamento tubo di ingresso
- 10** Cavo di alimentazione
- 11** Bulloni per il trasporto
- 12** Supporto tubo



La targhetta identificativa riporta:

- A. codice QR
- B. Nome del modello
- C. Codice del prodotto
- D. Valori nominali della rete elettrica
- E. Numero di serie

Scansionare il **codice QR** sull'apparecchiatura per registrare il prodotto e sfruttarlo al massimo.

- - Accedere ai dettagli, alla documentazione e agli articoli relativi all'apparecchiatura per scoprire come utilizzarne al meglio le funzioni (il Manuale d'uso è disponibile anche all'indirizzo electrolux.com/manuals)
- - Ottenere informazioni su consigli d'uso, risoluzione dei problemi, assistenza tecnica e riparazione (disponibili anche all'indirizzo electrolux.com/support)
- - Acquistare accessori, materiali di consumo e ricambi originali per l'apparecchiatura (disponibili anche all'indirizzo electrolux.com/shop)

4. INFORMAZIONI TECNICHE

Dimensioni	Larghezza/Altezza/Profondità totale	59,7 cm /84,7 cm /65,8 cm
Collegamento elettrico	Tensione Potenza complessiva Fusibile Frequenza	230 V 2100 W 10 A 50 Hz
Livello di protezione dall'ingresso di particelle solide e umidità assicurato dal coperchio protettivo, tranne dove l'apparecchiatura a bassa tensione non ha una protezione contro l'umidità		IPX4
Pressione di alimentazione dell'acqua	Minimo Massimo	0,5 bar (0,05 MPa) 10 bar (1,0 MPa)
Alimentazione dell'acqua ¹⁾		Acqua fredda
Carico massimo	Cotone	9 kg

¹⁾ Collegare il tubo di carico dell'acqua a un rubinetto con 3/4" filettatura.

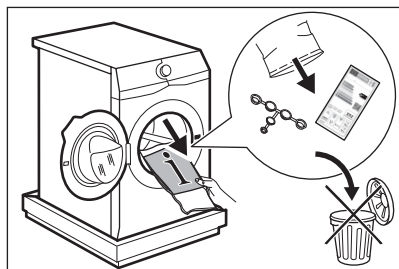
5. INSTALLAZIONE

AVVERTENZA!

Fare riferimento ai capitoli sulla sicurezza.

5.1 Disimballaggio

1. Aprire la porta. Togliere tutti gli oggetti dal cesto.

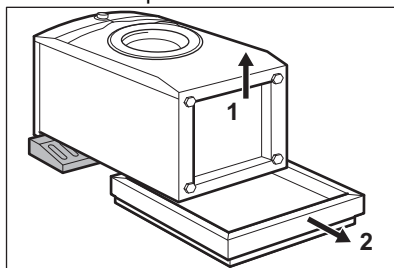


i

Gli accessori forniti con l'apparecchio possono variare a seconda del modello.

2. Collocare l'elemento di imballaggio sul pavimento dietro l'apparecchiatura e poggiarlo con cura sul suo lato posteriore.

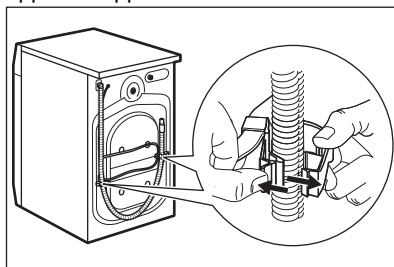
Rimuovere la protezione dal fondo.



ATTENZIONE!

Non appoggiare la lavatrice sul davanti.

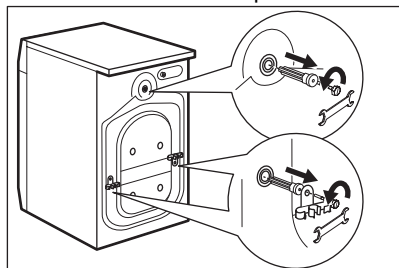
3. Rimettere l'apparecchiatura in posizione verticale. Staccare il cavo di alimentazione e il tubo di scarico dagli appositi supporti.



⚠ AVVERTENZA!

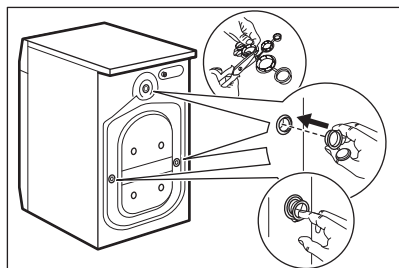
Si può vedere dell'acqua fuoriuscire dal tubo di scarico. Ciò avviene in quanto la lavatrice è stata testata in fabbrica.

4. Togliere i tre bulloni di trasporto ed estrarre i distanziatori in plastica.



Consigliamo di conservare l'imballaggio e i bulloni per il trasporto per quando si trasporta l'apparecchiatura.

5. Mettere nei fori i cappucci in plastica contenuti nel sacchetto del manuale.



5.2 Informazioni per l'installazione

Posizionamento e livellamento

Regolare l'apparecchiatura in modo adeguato per evitare le vibrazioni, il rumore e il movimento dell'apparecchiatura stessa mentre è in funzione.

1. Installare l'apparecchiatura su un pavimento piano e duro. L'apparecchiatura deve essere in piano ed appoggiata in modo stabile. Verificare che l'apparecchiatura non sia a contatto con la parete o con altre unità e che vi sia ricircolo d'aria sotto all'apparecchiatura stessa.
2. Allentare o stringere i piedini per regolare il livello. Tutti i piedini devono saldamente essere appoggiati a terra.

⚠ AVVERTENZA!

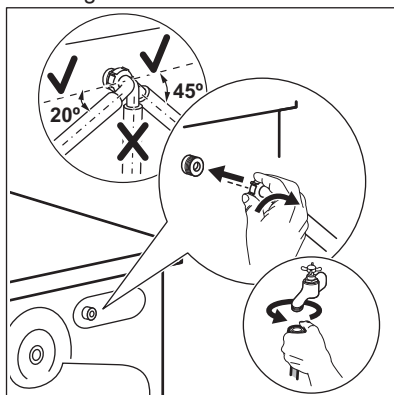
Non mettere cartone, legno o materiali equivalenti sotto i piedini dell'apparecchiatura per regolare il livello.

Tubo di carico

⚠ ATTENZIONE!

Verificare che non vi siano danni ai tubi flessibili e che non vi siano perdite dai raccordi. Non usare una prolunga se i tubi di carico dell'acqua sono troppo corti. Contattare il Centro di Assistenza per informazioni sulla sostituzione del tubo di carico dell'acqua.

1. Collegare il tubo di ingresso dell'acqua sulla parte posteriore dell'apparecchiatura, se necessario. Di solito è già installato in fabbrica.

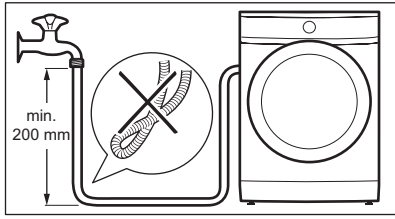


2. Posizionarlo a sinistra o destra, a seconda della posizione del rubinetto. Assicurati che il tubo di carico non sia in posizione verticale.

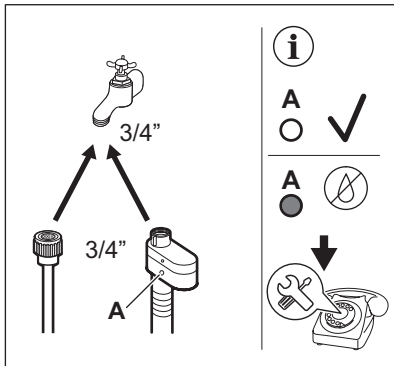
- Ove necessario, allentare il dado ad anello per sistemarlo nella posizione corretta.
- Collegare il tubo di carico dell'acqua a un rubinetto dell'acqua fredda con filettatura 3/4".

⚠ AVVERTENZA!

Per ridurre la forza laterale, mantenere una sezione rettilinea minima di 200 mm di tubo sotto il collegamento del rubinetto.



- Alcuni modelli possono contenere un tubo di carico con dispositivo di blocco acqua. Evita le perdite d'acqua nel tubo a causa del suo naturale invecchiamento. Il settore della finestra indica questo guasto **A**. In tal caso chiudere il rubinetto dell'acqua e contattare il Centro di Assistenza autorizzato per informazioni sulla sostituzione del tubo.



⚠ AVVERTENZA!

L'acqua in ingresso non deve avere una temperatura superiore ai 25 °C.

Scarico dell'acqua

Il tubo di scarico deve trovarsi a un'altezza non inferiore a 60 cm e non superiore a 100 cm.



È possibile prolungare il tubo di scarico fino a un massimo di 400 cm. Contattare il Centro di Assistenza autorizzato per acquistare l'altro tubo di scarico e la prolunga.

Accertarsi che il tubo di scarico formi una curva per evitare il passaggio di particelle dal lavandino all'apparecchiatura.

Collegare il tubo di scarico al sifone e serrarlo con una pinza. Accertarsi che il tubo di scarico formi una curva per evitare il passaggio di particelle dal lavandino all'apparecchiatura.

Posizionare il tubo direttamente in una conduttura di scarico incassata nel muro del locale e serrare con un fermo.

Senza la guida del tubo flessibile in plastica, verso il sifone di un lavandino - Fissare il tubo al sifone, e serrarlo con una pinza.

Il tubo di scarico può essere piegato a U e posizionato intorno alla guida in plastica. All'estremità del secchiaio - Serrare la guida al rubinetto dell'acqua o a parete.



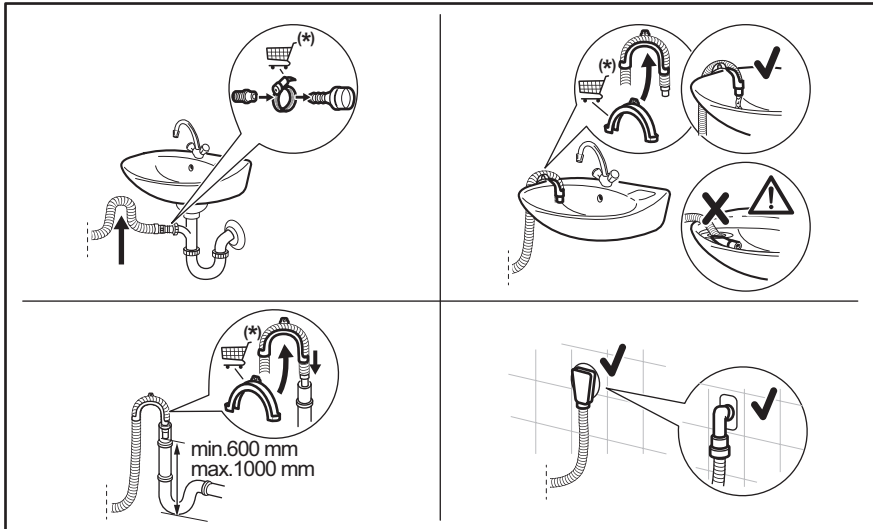
Verificare che la guida in plastica non si muova quando l'apparecchiatura scarica e verificare anche che il tubo di scarico non sia immerso in acqua. Ci potrebbe essere un ritorno di acqua sporca nell'apparecchiatura. Acquistare gli accessori da un fornitore autorizzato.

A un tubo verticale dotato di foro di ventilazione - Inserire il tubo di scarico direttamente in una conduttura di scarico o in un tubo verticale



L'estremità del tubo di scarico deve essere sempre ventilata, perciò il diametro interno del tubo di scarico (min. 38 mm = min. 1,5") deve essere più grande del diametro esterno del tubo di scarico.

Sarà possibile collegare il tubo di scarico in diversi modi:



(*) Con riserva di modifiche.

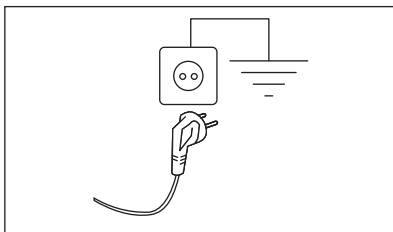
5.3 Collegamento elettrico

Al termine dell'installazione è possibile collegare la spina alla presa elettrica.

La targhetta di identificazione e il capitolo "Dati tecnici" indicano i valori elettrici necessari. Assicurarsi che siano compatibili con l'alimentazione di rete.

Verificare che l'impianto domestico possa sopportare il carico massimo richiesto, tenendo in considerazione anche le altre apparecchiature che possono essere utilizzate.

Collegare l'apparecchiatura a una presa elettrica con messa a terra.



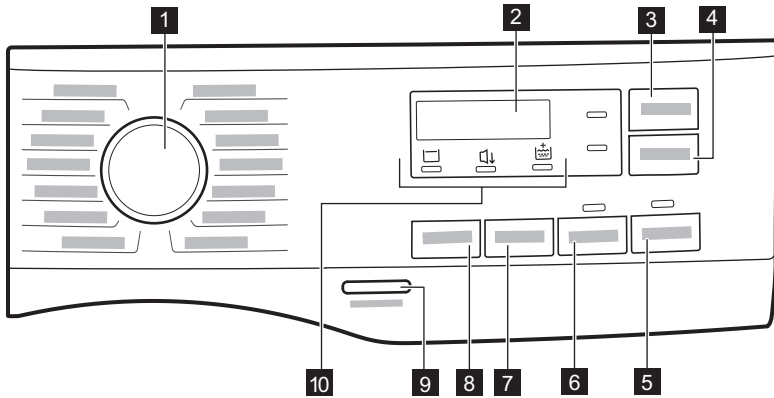
Il cavo di alimentazione deve essere facilmente accessibile dopo l'installazione dell'apparecchiatura.


Per qualsiasi intervento elettrico necessario per l'installazione di questa apparecchiatura, contattare il nostro Centro di Assistenza Autorizzato.






Il produttore declina qualsiasi responsabilità per danni o lesioni causati dal mancato rispetto delle suddette misure di sicurezza.

6. PANNELLO DEI COMANDI

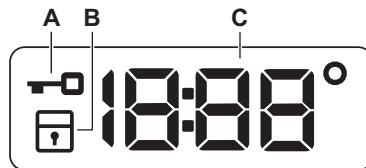
6.1 Descrizione del pannello dei comandi



- 1** Selettore dei programmi
- 2** Display
- 3** Tasto a sfioramento Time Manager
- 4** Tasto a sfioramento Partenza Ritardata
- 5** Avvio/Pausa  tasto a sfioramento
- 6** Tasto a sfioramento Prelavaggio
- 7** Centrifuga tasto a sfioramento opzioni riduzione

- 8** Tasto a sfioramento Temp. 
- 9** Pulsante On/Off 
- 10** Spie:
 - Antipioggia 
 - Silenzioso 
 - Extra risciacquo 

6.2 Display



- A. Spia Oblò bloccato.
- B. Spia Sicurezza bambino.
- C. La spia digitale può mostrare:
 - Durata del programma (ad esempio 2:40).
 - Tempo di ritardo (ad esempio 2h).
 - fine del Ciclo (0:00).

- Codice di avvertenza (ad esempio: E20).
- Temperatura (28°)
- Velocità centrifuga (1888, nessuna spia centrifuga - - -).
- Indicazione delle ore di esercizio totali dell'apparecchiatura. Fare riferimento alla sezione "Contatore delle ore di

esercizio" nel paragrafo "Impostazioni" per ulteriori dettagli.

7. SELETTORE E TASTI

7.1 Introduzione



Le opzioni/funzioni non sono disponibili con tutti i programmi di lavaggio. Controllare la compatibilità fra opzioni/funzioni e i programmi di lavaggio nella "Tabella dei programmi". Un'opzione/funzione può escludere l'altra, in questo caso l'apparecchiatura non consente di impostare le opzioni/funzioni incompatibili.

7.2 Temp.

Quando viene selezionato un programma di lavaggio, l'apparecchiatura propone automaticamente una temperatura predefinita.

Toccare ripetutamente questo tasto fino a che non compare il valore di temperatura desiderato sul display.

Quando il display mostra le spie $_ _ \circ$, l'apparecchiatura non scalda l'acqua.

7.3 Centrifuga

Quando viene impostato un programma, l'apparecchiatura seleziona automaticamente la velocità di centrifuga predefinita.

Premere questo bottone per impostare ulteriori opzioni di centrifuga:

- **Ridurre la velocità di centrifuga.** Il display mostra solo le velocità di centrifuga disponibili per il programma impostato.
- **Nessuna centrifuga** — — — compare sul display. Impostare questa opzione per disattivare tutte le fasi di centrifuga. L'apparecchiatura esegue solo la fase di scarico del programma di lavaggio selezionato. Impostare questa opzione per tessuti molto delicati. La fase di risciacquo

per alcuni programmi di lavaggio utilizza più acqua

- **Stop acqua in vasca** . La spia corrispondente si accende. La centrifuga finale non viene eseguita. Si esclude lo scarico dell'acqua dell'ultimo risciacquo in modo da non sgualcire i tessuti. Il programma di lavaggio finisce con l'acqua nel cesto. L'oblò resta bloccato e il cesto ruota regolarmente per ridurre la formazione di pieghe. È necessario scaricare l'acqua per sbloccare l'oblò.

Premendo il tasto Avvio/Pausa l'apparecchiatura esegue la fase di centrifuga e poi scarica l'acqua.

- **Silenzioso** . La spia corrispondente si accende. Le fasi intermedie e quella finale della centrifuga vengono eliminate e il programma termina con l'acqua nel cestello. In questo modo vengono ridotte le pieghe. L'oblò rimane bloccato. Il cesto ruota regolarmente per ridurre le pieghe. È necessario scaricare l'acqua per sbloccare l'oblò. Dato che il programma è molto silenzioso, è adatto per essere usato di notte quando l'energia elettrica costa meno. In alcuni programmi i risciacqui vengono eseguiti con più acqua.

Premendo il Avvio/Pausa tasto, l'apparecchiatura esegue unicamente la fase di scarico.



L'apparecchiatura svuota l'acqua automaticamente dopo circa 18 ore.

7.4 Prelavaggio

Questa opzione consente di aggiungere una fase di prelavaggio ad un programma di lavaggio.

La spia corrispondente si accende.

- Usare questa funzione per aggiungere una fase di pre-lavaggio a 30°C prima di quella di lavaggio.

Questa opzione è consigliata per bucato molto sporco, in particolare se contiene sabbia, polvere, fango e altre componenti solide.



Questa opzione può aumentare la durata del programma.

7.5 Time Manager

Con questa opzione sarà possibile ridurre la durata del programma a seconda delle dimensioni del carico e del livello di sporcizia. Esistono quattro livelli di riduzione del tempo di ciclo.

Toccare il pulsante Time Manager per ridurre la durata del programma a seconda delle proprie esigenze. Il display indica la durata del nuovo programma.

Il Time Manager è disponibile solo con i programmi presenti in tabella.

Durata del programma	Cotoni	Sintetici	Lavaggio intensivo
1)	■	■	■
Medio lunga	■	■	■
Medio	■ 2)	■	■ 2)
Minima	■ 2)	■	■ 2)

1) Durata predefinita per tutti i programmi massima.


2) Questo livello dell'opzione Time Manager non è disponibile a 90 °C.

Per ulteriori dettagli rimandiamo alla compatibilità delle opzioni Programma nel capitolo "Programmi".


7.6 Partenza Ritardata

Con questa opzione sarà possibile ritardare l'avvio di un programma in un orario più comodo.

Premere ripetutamente il tasto per impostare il ritardo necessario. Il tempo aumenta a intervalli di 1 ora fino a 20 ore.

Dopo aver toccato il tasto Avvio/Pausa , sul display compare l'indicatore relativo e il tempo di ritardo selezionato, quindi l'apparecchiatura inizia il conto alla rovescia. L'oblò è bloccato.

7.7 Avvio/Pausa

Toccare il tasto  per avviare, mettere in pausa l'apparecchiatura o interrompere un programma in funzione.

7.8 On/Off


Premere questo tasto per alcuni secondi sarà possibile attivare o disattivare l'apparecchiatura. Quando l'apparecchiatura viene accesa o spenta, si sentono due suoni diversi.





Quando la funzione Stand-by disattiva automaticamente l'apparecchiatura dopo alcuni minuti per ridurre il consumo energetico, potrebbe essere necessario attivare nuovamente l'apparecchiatura.

Per ulteriori dettagli rimandiamo al paragrafo Stand-by nel capitolo Utilizzo quotidiano.

8. PROGRAMMI

8.1 Tabella dei programmi

Programma Temperatura predefinita Temperature range	Velocità di centrifuga di riferimen- to Gamma ve- locità cen- trifuga (giri/ min)	Carico massi- mo	Descrizione del programma (Tipo di carico e livello di sporco)
FullWash 45' 30 °C 30 °C - A freddo	1400 giri/min (1400 - 400)	9 kg	Tessuti misti, ideali per cotone colorato e sintetici e per l'uso quotidiano con un livello di sporco leggero. Questo programma laverà a 30°C in soli 45 minuti. Si otterranno risultati migliori lavando piccole quantità di vestiti.
Cotoni 40 °C 90 °C - A freddo	1400 giri/min (1400 - 400)	9 kg	Bianchi e colorati in cotone. Ideale per sporco normale e intenso.
Sintetici 30 °C 60 °C - A freddo	1200 giri/min (1200 - 400)	4 kg	Capi in tessuti sintetici o misti. Sporco normale.
Delicati 30 °C 40 °C - A freddo	800 giri/min (1200 - 400)	2 kg	Tessuti delicati quali ad esempio acrilici, viscosa e tessuti misti che richiedono un lavaggio più delicato. Sporco normale.
Lana/Seta  40 °C 40 °C - A freddo	1200 giri/min (1200 - 400)	1,5 kg	Indumenti di lana lavabili a macchina, a mano e altri tessuti che riportano sull'etichetta il simbolo di "lavaggio a mano" 1 .
Risciacquo	1400 giri/min (1400 - 400)	9 kg	Tutti i tessuti, eccetto lana e tessuti molto delicati. Programma per risciacquare e centrifugare il bucato. La velocità di centrifuga predefinita è quella usata per i programmi per il cotone. Ridurre la velocità di centrifuga in base al tipo di biancheria. Se necessario, impostare l'opzione Extra risciacquo per aggiungere risciacqui. Con una bassa velocità di centrifuga l'apparecchiatura effettua risciacqui delicati e una centrifuga breve.
Centrifuga/Scarico	1400 giri/min (1400 - 400)	9 kg	Per centrifugare la biancheria e scaricare l'acqua nel cesto. Tutti i tessuti, a parte i capi in lana e i tessuti delicati.
Lavaggio intensivo 60 °C 90 °C - A freddo	1400 giri/min (1400 - 400)	9 kg	Salopette, tute da lavoro e indumenti da lavoro. Ciclo intensivo con fase di prelavaggio per rimuovere lo sporco e i terreni solidi.
Jeans 30 °C 40 °C - A freddo	800 giri/min (1200 - 400)	4 kg	Programma speciale per gli indumenti in Denim con una fase di lavaggio delicata per ridurre gli sbiadimenti e i segni del lavaggio. Per una miglior cura degli indumenti consigliamo un carico ridotto.

Programma Temperatura predefinita Temperature range	Velocità di centrifuga di riferimen- to Gamma ve- locità cen- trifuga (giri/ min)	Carico massi- mo	Descrizione del programma (Tipo di carico e livello di sporco)
Sport 30 °C 40 °C - A freddo	1200 giri/min (1200 - 400)	4 kg	Capi sportivi in tessuti sintetici. Questo programma è stato pensato per lavare in modo delicato indumenti sportivi ed è anche adatto per abbigliamento da palestra, ciclismo, jogging e articoli simili.
Piumoni 30 °C 60 °C - A freddo	800 giri/min (800 - 400)	3 kg	Programma speciale per coperte, piumoni, copriletto, copriletto e così via in materiale sintetico o in piuma e piumino. Utilizzare un detersivo liquido delicato, ad esempio un detersivo per capi in lana.
Outdoor  30 °C 40 °C - A freddo	1200 giri/min (1200 - 400)	2,5 kg ²⁾ 1 kg ³⁾	<p>Non usare ammorbidente e fare in modo che non vi siano residui di ammorbidente nel cassetto del detersivo.</p> <p>Asciugatura per indumenti per l'aria aperta, tecnici, sportivi, giacche impermeabili e traspiranti, giacca aderente dotata di interno in pile removibile o rivestimento isolante interno. Il carico di bucato consigliato è 2,5 kg. Questo programma può essere usato anche come ciclo di ripristino della funzione idro-repellente, appositamente realizzato per creare uno strato idrofobico sugli indumenti. Per eseguire il ciclo di impermeabilizzazione, procedere come indicato di seguito:</p> <ul style="list-style-type: none"> • Versare il detersivo nello scomparto . • Versare uno speciale prodotto per il ripristino dell'impermeabilizzazione nel cassetto per l'ammorbidente . • Ridurre il carico del bucato a 1 kg. <p>Per migliorare ulteriormente la funzione di impermeabilizzazione, asciugare in asciugatrice impostando il programma di asciugatura Outdoor (ove disponibile e se l'etichetta nel contenente l'asciugatura in asciugatrice).</p>
Hygiene  60 °C	1400 giri/min (1400 - 400)	9 kg	Capi in cotone bianco. Questo programma di lavaggio ad alte prestazioni combinato con il vapore rimuove oltre il 99,99% dei batteri e dei virus ⁴⁾ mantenendo la temperatura al di sopra di 60 °C durante la fase di lavaggio, con un'azione agghiuntiva sulle fibre grazie al vapore, un risciacquo potenziato assicura la rimozione corretta dei residui di detersivo e dei microorganismi. Questo programma garantisce anche una riduzione adeguata delle particelle di pollini/allergeni.

Programma Temperatura predefinita Temperature range	Velocità di centrifuga di riferimento Gamma velocità centrifuga (giri/min)	Carico massimo	Descrizione del programma (Tipo di carico e livello di sporco)
Eco 40-60 5)	1400 giri/min (1400 - 400)	9 kg	Cotone bianco e colorato sintetico. Capi normalmente sporchi. Il consumo di energia si riduce e la durata del programma di lavaggio viene allungata, garantendo buoni risultati di lavaggio.






- 1) Durante questo ciclo il cestello ruota lentamente per garantire un lavaggio delicato. Può sembrare che il tamburo non ruoti o non ruoti correttamente, ma questo è normale per questo programma.
- 2) Programma di lavaggio.
- 3) Programma di lavaggio e fase di impermeabilizzazione.
- 4) Testato per *Staphylococcus aureus*, *Enterococcus faecium*, *Candida albicans*, *Pseudomonas aeruginosa* e il batteriofago MS2 nei test esterni eseguiti da Swisstest Testmaterialien AG nel 2021 (verbale di prova n. 202120117).
- 5) Secondo la norma UE 2019/2023 della Commissione e il decreto ucraino 834/2023, questo programma a 40 °C è in grado di pulire il bucato di cotone con un livello di sporco normale, dichiarato lavabile a 40 °C o 60 °C, insieme nello stesso ciclo. La temperatura non è indicata né visibile, è impostata automaticamente.



- Per la temperatura raggiunta nella lavanderia, la durata del programma e altri dati, consultare il capitolo "Valori di consumo".
- I programmi più efficienti in termini di consumo energetico sono in genere quelli che funzionano a temperature più basse e durano più a lungo.


Compatibilità delle opzioni programma



Programma	Centrifuga	---				Prelavaggio	Partenza Ritardata	Time Manager
FullWash 45'	■	■	■	■	■	■	■	■
Cotoni	■	■	■	■	■	■	■	■
Sintetici	■	■	■	■	■	■	■	■
Delicati	■	■	■	■	■	■	■	■
Lana/Seta	■	■	■	■	■	■	■	■

Programma	Centrifuga	---				Prelavaggio	Partenza Ritardata	Time Manager
Risciacquo	■	■	■		■		■	
Centrifuga/Scarico ¹⁾	■	■					■	
Lavaggio intensivo	■	■	■	■	■		■	■
Jeans	■	■	■	■	■		■	
Sport	■	■	■		■	■	■	
Piumoni	■	■					■	
Outdoor 	■	■	■		■		■	
Hygiene 	■	■	■		■		■	
Eco 40-60	■		■				■	

¹⁾ Impostare la velocità di centrifuga. Assicurarsi che sia adatta al tipo di tessuto lavato. Se si imposta l'opzione No centrifuga, è disponibile solo la fase di scarico.

Detergenti idonei per i programmi di lavaggio

Programma	Polvere universale ¹⁾	Liquido universale	Liquido per colorati	Capi delicati e di lana	Speciale
FullWash 45'	▲	▲	--	--	--
Cotoni	▲	▲	▲	--	--
Sintetici	▲	▲	▲	--	--
Delicati	--	--	--	▲	▲
Lana/Seta 	--	--	--	▲	▲
Lavaggio intensivo	▲	▲	▲	--	--
Jeans	--	--	▲	▲	▲
Sport	--	▲	▲	--	▲

Programma	Polvere univ- ersale 1)	Liquido uni- versale	Liquido per co- lorati	Capi delicati e di lana	Speciale
Piumoni	--	--	--	▲	▲
Outdoor 	--	--	--	▲	▲
Hygiene 	▲	▲	--	--	▲
Eco 40-60	▲	▲	▲	--	--

1) A temperature superiori a 60 °C si consiglia l'uso di un detersivo in polvere.

-- = Non consigliato ▲ = Consigliato

9. IMPOSTAZIONI

9.1 Segnali acustici

Questa apparecchiatura ha vari segnali acustici, che funzionano quando:

- Viene attivata l'apparecchiatura (breve suono speciale).
- Viene disattivata l'apparecchiatura (breve suono speciale).
- Si toccano i tasti (suono clic).
- Viene effettuata una selezione non valida (3 suoni brevi).
- Il programma è completato (sequenza di suoni per circa 1 minuto).
- L'apparecchiatura ha un'anomalia di funzionamento (sequenza di brevi suoni per circa 5 minuti).

Per **disattivare/attivare** i segnali acustici quando il programma è impostato, sfiorare contemporaneamente i tasti Time Manager e Partenza Ritardata per circa 2 secondi.



Se si disattivano i segnali acustici, gli stessi continueranno a funzionare in caso di malfunzionamento dell'apparecchiatura.

9.2 Sicurezza Bambini

Questa opzione consente di evitare che i bambini possano giocare con il pannello dei comandi.

Per **attivare/disattivare** questa opzione, tenere premuto il tasto Centrifuga fino a che  **non compare/sparisce** sul display.

L'apparecchiatura torna in modo predefinito a questa opzione dopo lo spegnimento.

La funzione Blocco bambini non è disponibile per alcuni secondi dopo l'accensione dell'apparecchiatura.

9.3 Extra Risciacquo permanenti

Con quest'opzione è possibile far eseguire in modo permanente un risciacquo extra, quando è impostato un nuovo programma.

- Per **attivare/disattivare** questa opzione, tenere premuto il tasto Prelavaggio fino a che la spia pertinente  **non compare/sparisce**.

9.4 Contatore delle ore di esercizio

È possibile visualizzare il tempo totale di funzionamento dell'apparecchiatura in ore, a partire dalla prima accensione. Questo valore conterà il tempo di funzionamento dei cicli (non include pause e tempo di partenza ritardata). Per visualizzare questo valore, procedere come segue:

1. Accendere l'apparecchiatura premendo il tasto On/Off.
2. Ruotare il selettore dei programmi per impostare un programma.

3. Tenere premuti i tasti Temp. e Centrifuga per alcuni secondi (entro 10 secondi dall'accensione. Dopo questi 10 secondi la combinazione di tasti attiva e disattiva i segnali acustici).
4. Dopo 3 secondi sul display vengono visualizzate le ore totali di funzionamento dell'apparecchiatura: ad es. 1276 ore, il display mostra il testo Hr per 2 secondi, 12 (migliaia e centinaia) per 2 secondi e 76 (decine e unità).



Se la procedura non funziona (a causa di timeout, posizione errata del selettore programmi o combinazione di tasti errata), spegnere l'apparecchiatura e ripetere la sequenza dall'inizio.

9.5 Reset Imp. di Fabbrica

Questa funzione consente di ripristinare le opzioni di fabbrica. Per **attivare**

quest'opzione, attenersi alla procedura seguente:

1. Accendere l'apparecchiatura premendo il tasto On/Off.
2. Ruotare il selettore dei programmi per impostare un programma.
3. Tenere premuti i tasti Centrifuga e Prelavaggio per alcuni secondi (entro 10 secondi dall'accensione. Dopo questi 10 secondi la combinazione di tasti attiva e disattiva i segnali acustici).
4. Il display visualizzerà — — — per circa 5 secondi.



Se la procedura non funziona (a causa di timeout, posizione errata del selettore programmi o combinazione di tasti errata), spegnere l'apparecchiatura e ripetere la sequenza dall'inizio.

10. USO QUOTIDIANO

AVVERTENZA!

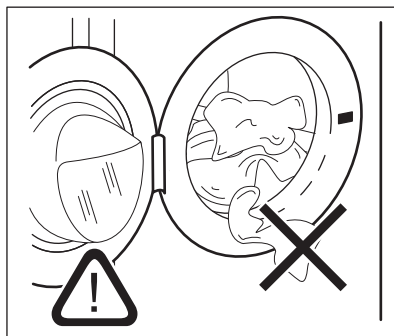
Fare riferimento ai capitoli sulla sicurezza.

10.1 Attivazione dell'apparecchiatura

1. Collegare la spina alla presa di corrente.
 2. Aprire il rubinetto dell'acqua.
 3. Per attivare l'apparecchiatura, premere il tasto On/Off per alcuni secondi
- Viene emesso un breve segnale acustico.

10.2 Caricamento della biancheria

1. Aprire la porta dell'apparecchiatura.
 2. Svuotare le tasche e distendere gli indumenti prima di metterli nell'apparecchiatura.
 3. Mettere il bucato nel cestello, un capo alla volta.
- Non introdurre troppa biancheria nel cesto.
4. Chiudere saldamente lo sportello.

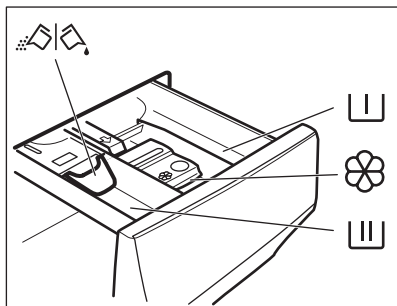


ATTENZIONE!

-Verificare che non resti bucato impigliato fra la guarnizione e l'oblò per evitare il rischio di perdite di acqua e danni al bucato.

-Lavare le macchie grasse e molto oleose usare dei profumi potrebbe danneggiare le parti in gomma della lavatrice.

10.3 Aggiunta di detersivi e additivi



Scomparto per il detersivo di prelavaggio, ammollo o per lo smacchiatore.



Scomparto per la fase di lavaggio.



Scomparto degli additivi liquidi (ammorbidente, amido).

MAX Livello massimo degli additivi liquidi.



Inserto per detersivo liquido o in polvere.

1. Misurare i detersivi indicati e l'ammorbidente.
2. Versare il detersivo e l'ammorbidente nelle rispettive vaschette pulite.



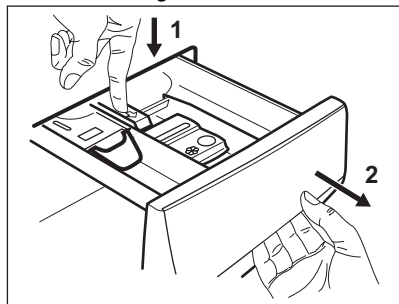
- Attenersi sempre alle istruzioni presenti sulla confezione dei detersivi; consigliamo tuttavia di non superare il livello massimo indicato **MAX**. Questa quantità garantirà comunque risultati di lavaggio ottimali.



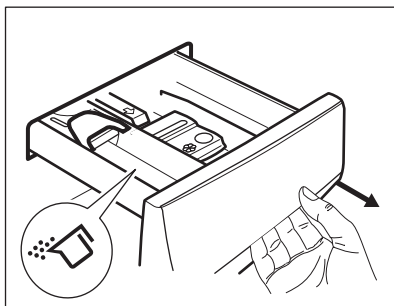
- Dopo un ciclo di lavaggio, ove necessario, rimuovere gli eventuali residui di detersivo dal cassetto del detersivo.

10.4 Controllare la posizione dell'inserto detersivo

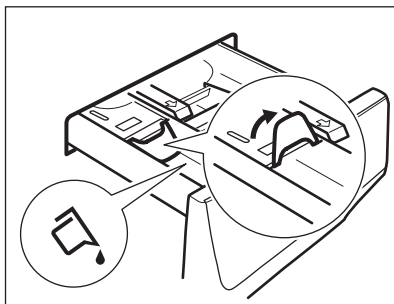
1. Estrarre l'erogatore del detersivo fino all'arresto.
2. Premere la leva verso il basso per rimuovere l'erogatore.



3. Per usare il detersivo in polvere, alzare l'aletta.



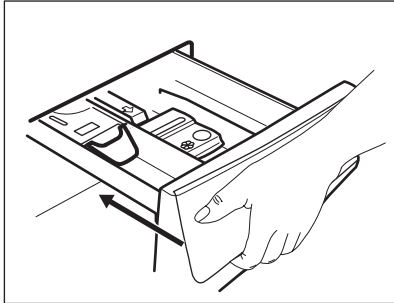
4. Per usare il detersivo liquido, abbassare l'aletta.



Con l'inserto in posizione **ABBASSATA**:

- Non utilizzare detersivi in gel o densi.
- Non superare il dosaggio di detersivo liquido indicato sull'aletta.
- Non impostare la fase di prelavaggio.

- Non impostare la funzione di partenza ritardata.
5. Misurare il detersivo e l'ammorbidente.
 6. Chiudere con attenzione l'erogatore del detersivo.



Assicurarsi che l'aletta non blocchi il cassetto durante la sua chiusura.

10.5 Impostazione di un programma

1. Ruotare il selettore dei programmi per selezionare il programma di lavaggio desiderato.

La spia del tasto Avvio/Pausa lampeggia. Il display mostra la durata indicativa del programma.

2. Per modificare la temperatura e/o la velocità di centrifuga, premere i relativi tasti.
3. Qualora lo si desideri, impostare una o più opzioni toccando i relativi tasti. Le spie relative si illuminano sul display e le informazioni fornite variano di conseguenza.



Se una selezione **non è possibile** viene emesso un segnale acustico e sul display compare .

10.6 Ulteriori informazioni sull'uso quotidiano

SensiCare System Rilevamento del carico

Il SensiCare System inizia a stimare il peso del carico per calcolare la durata effettiva del programma. L'elettrodomestico regola automaticamente la durata del programma in base al carico per ottenere i migliori risultati di lavaggio nel minor tempo possibile.

SensiCare System non è disponibile in programmi con cicli brevi.

Avvio di un programma

Premere il tasto Avvio/Pausa per avviare il programma. La spia relativa smette di lampeggiare e rimane accesa. Lo sportello è bloccato e il programma si avvia. Il display mostra la spia, il programma si avvia, la porta è bloccata. Il display mostra l'indicatore .

Avvio di un programma con partenza ritardata

1. Toccare ripetutamente il tasto Partenza Ritardata finché il display non mostra il ritardo desiderato.

2. Toccare il tasto Avvio/Pausa . La porta dell'apparecchiatura si blocca e inizia il timer della partenza ritardata. Il programma si avvia automaticamente al termine del timer.

Interruzione di un programma e modifica delle opzioni.

1. Quando il programma è in funzione sarà possibile modificare solo alcune opzioni.

Toccare il tasto Avvio/Pausa .

2. Modificare l'opzione. Le informazioni fornite nel display variano di conseguenza.

3. Toccare nuovamente Avvio/Pausa . Il programma di lavaggio prosegue.

Cancelazione di un programma in corso

- Premere il tasto a sfioramento On/Off per annullare il programma e disattivare l'apparecchiatura. Premere nuovamente per attivare l'apparecchiatura.
- Ruotare la manopola di selezione nella posizione "Reset" per attivare l'apparecchiatura . Attendere 2 secondi. Ora è possibile impostare un programma di lavaggio nuovo.

Fine del programma



- L'apparecchiatura si arresta automaticamente. Il display si accende. Vengono emessi i segnali acustici (se attivi).
- L'indicatore del tasto Avvio/Pausa si spegne. La chiusura porta si spegne e lo sportello si sblocca.

- Premere il tasto On/Off per alcuni secondi per disattivare l'apparecchiatura. Tenere l'oblò e il cassetto del detergente leggermente aperti, al fine di evitare la formazione di muffa e cattivi odori.

Drenaggio dell'acqua dopo la fine del ciclo

Qualora sia stato scelto un programma o un'opzione che non svuota l'acqua dell'ultimo risciacquo, ricordarsi di scaricare l'acqua:

- Premere il tasto Centrifuga per ridurre la velocità di centrifuga proposta dall'apparecchiatura

- Premere Avvio/Pausa 
- Al termine del programma, una volta spenta l'indicatore di chiusura porta , è possibile aprirla.
- On/Off per disattivare l'apparecchiatura.

Funzione Stand-by

La funzione Stand-by disattiva automaticamente l'apparecchiatura per ridurre il consumo di energia.

11. CURA E PULIZIA

AVVERTENZA!

Fare riferimento ai capitoli sulla sicurezza.



Leggere il capitolo nella sua interezza per informazioni sulla manutenzione e la cura ottimali dell'apparecchiatura.

11.1 Programma di pulizia periodica

La pulizia periodica aiuta a prolungare la durata dell'apparecchiatura.

Dopo ogni ciclo tenere lo sportello e il cassetto del detergente leggermente socchiusi per far circolare l'aria e asciugare l'umidità all'interno dell'apparecchiatura. In questo modo si eviteranno muffe e odori.

Se l'apparecchiatura non viene utilizzata per un lungo periodo di tempo, chiudere il rubinetto dell'acqua e scollegarla dalla spina.

Programma indicativo di pulizia periodica:

Decalcificazione	Due volte l'anno
Lavaggio di manutenzione	Una volta al mese
Pulizia della guarnizione dell'oblò	Ogni due mesi
Pulizia del cesto	Ogni due mesi
Pulizia del cassetto del detergente	Ogni due mesi

Pulizia del filtro della pompa di scarico	Due volte l'anno
---	------------------

Pulizia del tubo di carico e del filtro della valvola	Due volte l'anno
---	------------------

I paragrafi seguenti spiegano come si deve pulire ogni parte.

11.2 Rimuovere gli oggetti estranei



Prima di avviare il ciclo, assicurarsi che tutte le tasche siano vuote e le parti sciolte siano legate.

Rimuovere eventuali oggetti estranei (come clip di metallo, bottoni, monete, ecc.) che si possono trovare nella guarnizione della porta, nei filtri e nel tamburo. Fare riferimento ai paragrafi "Guarnizione della porta con doppio elemento di blocco dell'estremità", "Pulizia del cestello", "Pulizia del filtro della pompa di scarico" e "Pulizia del tubo di ingresso e del filtro della valvola". Prestare attenzione alle tende. Rimuovere i ganci e mettere le tende in un sacchetto di lavaggio o nelle federe. Se necessario, contattare il Centro di Assistenza Autorizzato.

11.3 Pulizia esterna

Pulire l'apparecchiatura esclusivamente con acqua tiepida saponata. Asciugare perfettamente tutte le superfici. Non utilizzare spugne abrasive o materiale abrasivo.

⚠ ATTENZIONE!

Non utilizzare alcol, solventi o prodotti chimici.

⚠ ATTENZIONE!

Non pulire le superfici metalliche con detersivi a base di cloro.

11.4 Decalcificazione



Se la durezza dell'acqua nella zona è alta o medio alta, si consiglia di utilizzare un decalcificante per le lavatrici.

Esaminare a intervalli regolari il cesto al fine di controllare la presenza di calcare.

I detersivi normalmente disponibili in commercio contengono già addolcitori, ma consigliamo di eseguire di tanto in tanto un ciclo col cesto vuoto e un prodotto decalcificante.



Attenersi sempre alle istruzioni riportate sulle confezioni dei prodotti.

11.5 Lavaggio di manutenzione

L'uso ripetuto e prolungato di programmi a bassa temperatura può causare depositi di detersivi, residui di lanugine, crescita batterica all'interno del cesto e della vasca. Ciò potrebbe generare cattivi odori e muffa. Per eliminare questi depositi e pulire la parte interna dell'apparecchiatura, eseguire a intervalli regolari lavaggi di manutenzione (almeno una volta al mese).

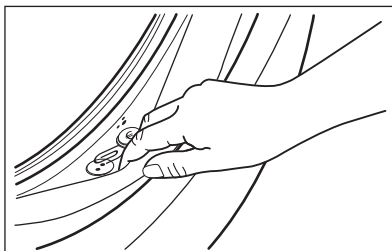


Rimandiamo al paragrafo dedicato alla "Pulizia del cesto".

11.6 Guarnizione della porta con doppio elemento di blocco dell'estremità

L'apparecchiatura è progettata con un **sistema di scarico autopulente** che permette alle leggere fibre di lanugine che cadono dai vestiti di essere scaricate con

l'acqua. Esaminare regolarmente la guarnizione e, se necessario, pulirla come descritto negli schemi seguenti. Monete, bottoni e altri piccoli oggetti possono essere recuperati alla fine del ciclo.



Pulirla se necessario con un detersivo in crema a base di ammoniaca senza graffiare la superficie della guarnizione.



Attenersi sempre alle istruzioni riportate sulle confezioni dei prodotti.

Controllare e rimuovere gli oggetti (se presenti) che potrebbero essere intrappolati nella piega.

Assicurarsi che non vi sia della biancheria tra la guarnizione e l'oblo.

Dopo il completamento del ciclo del programma, pulire con un panno umido eventuali residui di sporco o acqua rimasti nella guarnizione dell'oblo.

11.7 Pulizia del cesto

Controllare regolarmente il cesto per evitare depositi indesiderati.

Nel cestello si possono formare depositi di ruggine dovuti a corpi estranei o a tracce di ferro presenti nell'acqua

Pulire il cesto con prodotti adatti all'acciaio inossidabile.



Attenersi sempre alle istruzioni riportate sulle confezioni dei prodotti. Per la pulizia del cesto, non utilizzare prodotti anticalcare acidi, prodotti abrasivi contenenti cloro o pagliette abrasive.

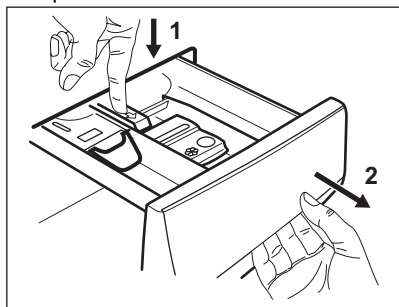
Per una pulizia completa:

1. Togliere tutta la biancheria dal cesto.
2. Eseguire un programma Cotoni con la temperatura più elevata.
3. È possibile aggiungere un detersivo speciale dedicato alla pulizia del cestello per eliminare eventuali residui rimasti.

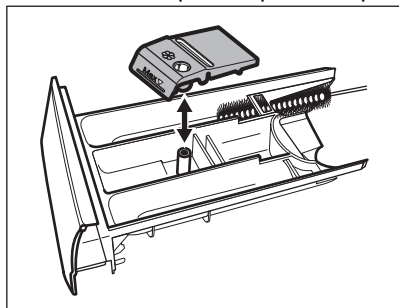
11.8 Pulizia del contenitore del detersivo

Per evitare possibili depositi di detersivo secco, oppure ostruzioni di ammorbidente e/o formazione di muffa nel cassetto del detersivo, ogni due mesi eseguire la procedura di pulizia seguente come spiegato negli schemi seguenti.

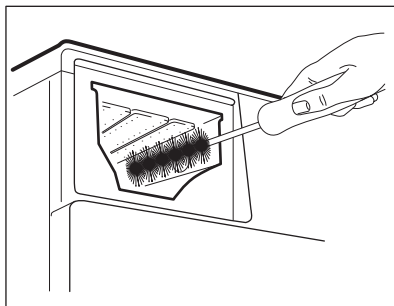
1. Aprire il cassetto. Premere il blocco verso il basso, come indicato nell'immagine, quindi estrarlo.



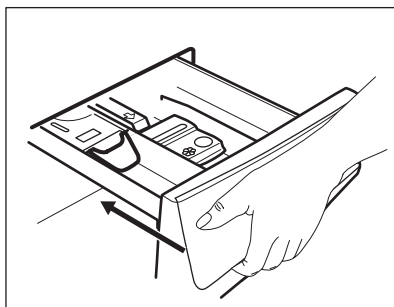
2. Togliere la parte superiore della vaschetta degli additivi per contribuire alla pulizia, quindi risciaquarla sotto all'acqua calda per eliminare eventuali tracce di detersivo accumulato. Dopo la pulizia, ricollocare la parte superiore in posizione.



3. Verificare che tutti i residui di detersivo vengano rimossi dalla parte superiore e inferiore dell'incasso. Servirsi di una spazzola piccola per pulire l'incasso.



4. Inserire il cassetto del detersivo nei binari della guida, quindi chiuderlo. Avviare il programma di risciacquo senza indumenti all'interno del cesto.



11.9 Pulizia del filtro della pompa di scarico

Controllare a intervalli regolari il filtro della pompa di scarico e verificare che sia pulito.

Pulire il filtro della pompa di scarico se:

- L'apparecchiatura non scarica l'acqua.
- Il cesto non gira.
- L'apparecchiatura emette un rumore insolito a causa dell'ostruzione della pompa di scarico.
- Sul display compare il codice di allarme

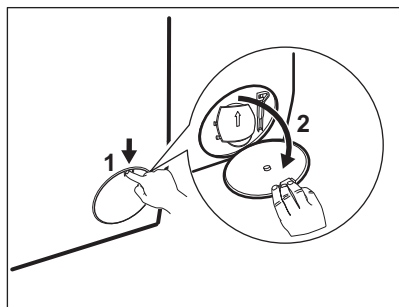
E20

⚠ AVVERTENZA!

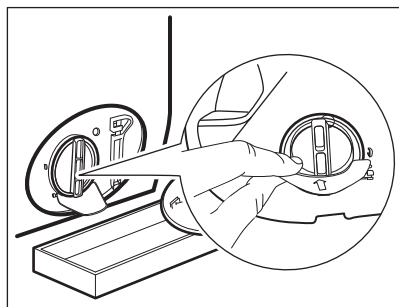
- Scollegare la spina di alimentazione dalla presa di corrente.
- Non rimuovere il filtro quando l'apparecchiatura è in funzione.
- Non pulire la pompa se l'acqua presente nell'apparecchiatura è calda. Attendere che l'acqua si raffreddi.
- Ripetere diverse volte il Passaggio 3 chiudendo e aprendo la valvola fino a che l'acqua non smette di fuoriuscire.

Tenere sempre a portata di mano uno straccio per asciugare l'acqua che potrebbe fuoriuscire quando si toglie il filtro.

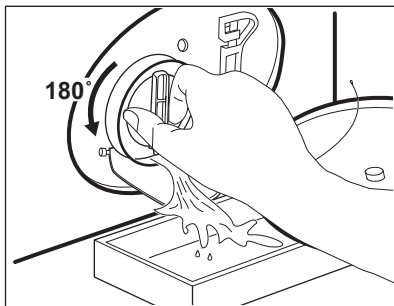
Procedere con i seguenti schemi per pulire il filtro della pompa:



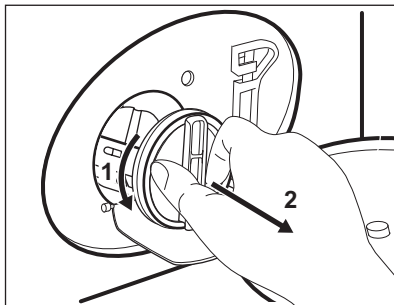
1.



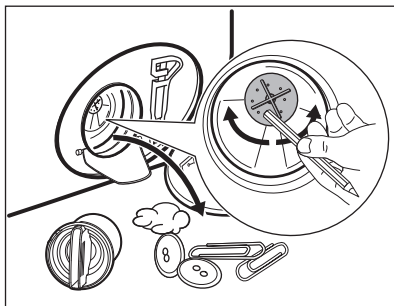
2.



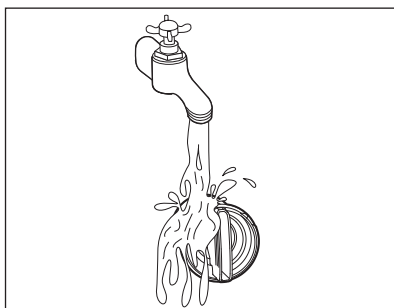
3.



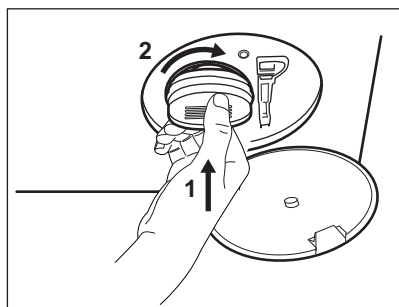
4.



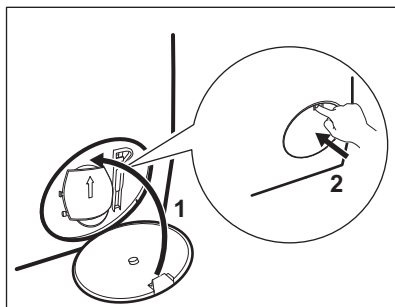
5.



6.



7.



8.

⚠ AVVERTENZA!

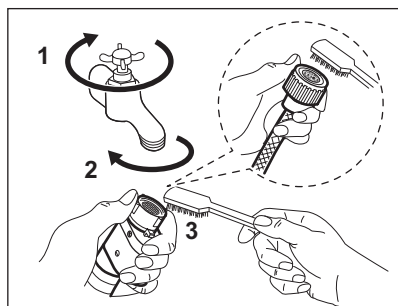
Assicurarsi che la girante della pompa possa ruotare. Se non ruota, contattare il Centro Assistenza Autorizzato. Accertarsi inoltre di chiudere correttamente il filtro per evitare perdite.

11.10 Pulizia del tubo di carico e del filtro della valvola

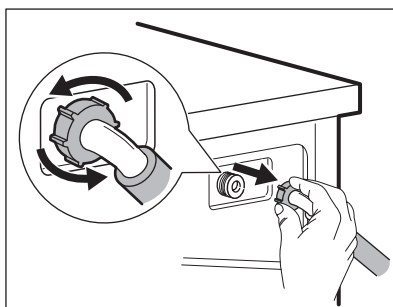


Consigliamo di pulire i due filtri sul tubo di ingresso e la valvola due volte all'anno per rimuovere eventuali depositi accumulatisi nel corso del tempo. Procedere con i seguenti schemi per pulire i filtri:

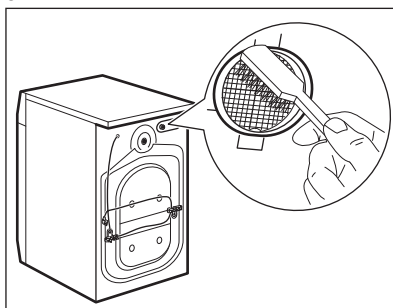
1.



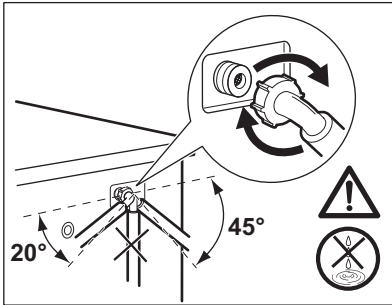
2.



3.



4.



11.11 Scarico di emergenza

Qualora l'apparecchiatura non scarichi l'acqua, eseguire la stessa procedura descritta nel paragrafo "Pulizia del filtro della pompa di scarico". Se necessario, pulire la pompa.

11.12 Precauzioni antigelo

Se si installa l'apparecchiatura in un luogo in cui la temperatura può raggiungere valori

intorno agli 0°C oppure scendere al di sotto di 0°C, togliere l'acqua residua dal tubo di carico dell'acqua e dalla pompa di scarico.

1. Scollegare la spina dalla presa di corrente.
2. Chiudere il rubinetto dell'acqua.
3. Sistemare le due estremità del tubo di carico in un contenitore e lasciare che l'acqua fluisca fuori dal tubo.
4. Svuotare la pompa di scarico. Fare riferimento alla procedura per lo scarico di emergenza.
5. Quando la pompa di scarico è vuota, rimontare il tubo di carico.

AVVERTENZA!

Accertarsi che la temperatura sia superiore a 0°C prima di utilizzare nuovamente l'apparecchiatura. Il produttore declina ogni responsabilità per danni causati da basse temperature.

12. VALORI DI CONSUMO

12.1 Commento



Il codice QR sull'etichetta energetica fornita con l'apparecchiatura riporta un link web alle informazioni correlate al funzionamento di questa apparecchiatura nella banca dati EPREL dell'UE. Conservare l'etichetta energetica come riferimento insieme al manuale d'uso e a tutti gli altri documenti forniti con questa apparecchiatura.

È possibile trovare le stesse informazioni anche in EPREL utilizzando il link <https://eprel.ec.europa.eu> e il nome del modello e il numero di prodotto che si trovano sulla targhetta dell'apparecchiatura.



I valori e la durata del programma possono variare a seconda delle diverse condizioni (ad es. temperatura ambiente, temperatura e pressione dell'acqua, dimensione del carico e tipo di biancheria, tensione di alimentazione) e anche se si modifica l'impostazione predefinita di un programma.

12.2 Secondo il Regolamento della Commissione UE 2019/2023 e tutti i nuovi standard applicabili nei mercati cooperanti (*)

Programma Eco 40-60	kg	kWh	Litri	hh:mm	% 1)	°C	giri/ min ²⁾
Pieno carico	9	0.760	64.0	3:40	53.00	33	1351
Mezzo carico	4,5	0.440	47.0	2:45	53.00	27	1351
1/4 di carico	2,5	0.300	39.0	2:35	54.00	26	1351

1) Umidità residua alla fine della fase di centrifuga. Maggiore è la velocità di centrifuga, maggiore è il rumore e minore è l'umidità residua.

2) Velocità massima di centrifugazione.

12.3 Programmi comuni



Questi valori sono solo indicativi.

Programma	kg	kWh	Litri	hh:mm	% 1)	°C	giri/ min ²⁾
Cotoni ³⁾ 90 °C	9	2.75	85.0	4:00	52.00	85	1400
Cotoni 60 °C	9	1.65	80.0	3:30	52.00	55	1400
Cotoni ⁴⁾ 20 °C	9	0.35	80.0	3:00	52.00	20	1400
Sintetici 40 °C	4	0.85	75.0	2:30	35.00	40	1200
Delicati ⁵⁾ 30 °C	2	0.35	60.0	1:25	35.00	30	1200
Lana/Seta 30 °C	1,5	0.30	70.0	1:05	30.00	30	1200

(*) Regolamenti UK in materia di progettazione ecosostenibile per i Prodotti relativi all'Energia e per le Informazioni sull'energia; decreto ucraino 834/2023; AS/NZS2040 e AS/NZS6400

Le temperature e i carichi sono impostati automaticamente e potrebbero non essere visibili per tutti i modelli.

1) Umidità residua alla fine della fase di centrifuga. Maggiore è la velocità di centrifuga, maggiore è il rumore e minore è l'umidità residua.

2) Indicatore di riferimento della velocità di centrifuga.

3) Adatto per il lavaggio di tessuti molto sporchi.

4) Adatta per lavare cotone, tessuti sintetici e misti poco sporchi.

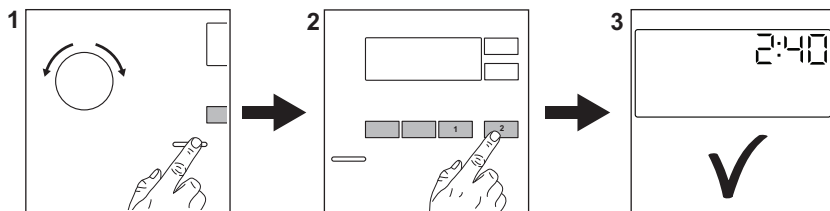
5) Svolge anche un ciclo di lavaggio rapido per il bucato leggermente sporco.

Spento (W)	Stand-by (W)	Partenza ritardata (W)
0,50	0,50	4,00

La modalità Spento/Standby dura al massimo 15 minuti.

13. GUIDA RAPIDA

13.1 Uso quotidiano



Collegare la spina alla presa di corrente.

Aprire il rubinetto dell'acqua.

Caricare la biancheria.

Versare il detersivo e gli altri trattamenti nello scomparto adeguato del cassetto del detersivo.

1. Premere il tasto On/Off per accendere l'apparecchiatura.
2. Ruotare il selettore dei programmi sul programma desiderato.
3. Impostare le opzioni desiderate mediante i tasti touch corrispondenti. Per avviare il programma, premere il tasto
4. Si avvia l'apparecchiatura.

Al termine del programma, rimuovere il bucato.

Premere il tasto On/Off per spegnere l'apparecchiatura.

13.2 Cura e pulizia

Il programma di pulizia periodica aiuta a prolungare la durata dell'apparecchiatura.

Dopo ogni ciclo tenere lo sportello e il cassetto del detersivo leggermente socchiusi per far circolare l'aria e asciugare l'umidità all'interno dell'apparecchiatura. In questo modo si eviteranno muffe e odori.

Se l'apparecchiatura non viene utilizzata per un lungo periodo di tempo, chiudere il rubinetto dell'acqua e scolgarla dalla spina.

Decalcificazione	Due volte l'anno
Lavaggio di manutenzione	Una volta al mese
Pulizia della guarnizione dell'oblò	Ogni due mesi
Pulizia del cesto	Ogni due mesi
Pulizia del cassetto del detersivo	Ogni due mesi
Pulizia del filtro della pompa di scarico	Due volte l'anno
Pulizia del tubo di carico e del filtro della valvola	Due volte l'anno

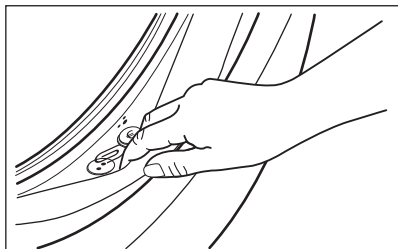
Tenere pulite le parti in plastica, specialmente vicino all'area del cassetto del detersivo, rimuovere le fuoriuscite in eccesso.

I paragrafi seguenti spiegano come si devono pulire alcune parti.

Guarnizione della porta con doppio elemento di blocco dell'estremità

L'apparecchiatura è progettata con un **sistema di scarico autopulente** che permette alle leggere fibre di lanugine che

cadono dai vestiti di essere scaricate con l'acqua. Esaminare regolarmente la guarnizione e, se necessario, pulirla come descritto negli schemi seguenti. Monete, bottoni e altri piccoli oggetti possono essere recuperati alla fine del ciclo.



Pulirla se necessario con un detergente in crema a base di ammoniaca senza graffiare la superficie della guarnizione.



Attenersi sempre alle istruzioni riportate sulle confezioni dei prodotti. Controllare e rimuovere gli oggetti (se presenti) che potrebbero essere intrappolati nella piega. Assicurarsi che non vi sia della biancheria tra la guarnizione e l'oblò. Dopo il completamento del ciclo del programma, pulire con un panno umido eventuali residui di sporco o acqua rimasti nella guarnizione dell'oblò.

Rimuovere gli oggetti estranei

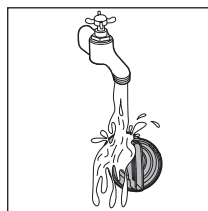
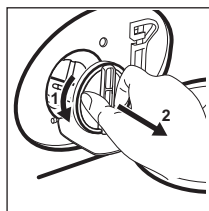
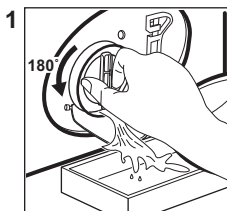


Prima di avviare il ciclo, assicurarsi che tutte le tasche siano vuote e le parti sciolte siano legate.

Rimuovere eventuali oggetti estranei (come clip di metallo, bottoni, monete, ecc.) che si possono trovare nella guarnizione della porta, nei filtri e nel tamburo. Se necessario, contattare il Centro di Assistenza Autorizzato.




Pulizia del filtro della pompa di scarico

Pulire il filtro a intervalli regolati, e in particolar modo se il codice allarme **E20** viene visualizzato sul display.



13.3 Programmi

Programma	Carico	Descrizione del prodotto
FullWash 45'	9 kg	Tessuti misti, ideali per cotone colorato e sintetici e per l'uso quotidiano con un livello di sporco leggero. Questo programma laverà a 30°C in soli 45 minuti. Si otterranno risultati migliori lavando piccole quantità di vestiti.

Programma	Carico	Descrizione del prodotto
Cotoni	9 kg	Tessuti in cotone bianco e colorato. Ideale per sporco normale e intenso.
Sintetici	4 kg	Capi in tessuti sintetici o misti.
Delicati	2 kg	Tessuti delicati quali capi acrilici, in viscosa e poliestere.
Lana/Seta 	1,5 kg	Lana lavabile a macchina, lana lavabile a mano e indumenti delicati.
Risciacquo	9 kg	Tutti i tessuti, eccetto lana e tessuti molto delicati. Programma di risciacquo e centrifuga.
Centrifuga/Scarico	9 kg	Tutti i tessuti, eccetto lana e tessuti molto delicati. Programma per centrifuga e scarico dell'acqua.
Lavaggio intensivo	9 kg	Salopette, tute da lavoro e indumenti da lavoro. Ciclo intensivo con fase di prelavaggio per rimuovere lo sporco e i terreni solidi.
Jeans	4 kg	Indumenti in denim e capi in jersey.
Sport	4 kg	Capi sportivi.
Piumoni	3 kg	Un piumino sintetico singolo, copriletto, piumone.
Outdoor 	2,5 kg ¹⁾ 1 kg ²⁾	Indumenti sportivi moderni per attività all'aperto.
Hygiene 	9 kg	Capi in cotone bianco. Questo programma rimuove più del 99,99% di batteri e virus ³⁾
Eco 40-60 ⁴⁾	9 kg	Cotoni bianchi e colorati. Capi normalmente sporchi.

1) Programma di lavaggio.

2) Programma di lavaggio e fase di impermeabilizzazione.

3) Testato per Staphylococcus aureus, Enterococcus faecium, Candida albicans, Pseudomonas aeruginosa e il batteriofago MS2 nei test esterni eseguiti da Swissatest Testmaterialien AG nel 2021 (verbale di prova n. 202120117).

4) Secondo la norma UE 2019/2023 della Commissione e il decreto ucraino 834/2023, questo programma a 40 °C è in grado di pulire il bucato di cotone con un livello di sporco normale, dichiarato lavabile a 40 °C o 60 °C, insieme nello stesso ciclo. La temperatura non è indicata né visibile, è impostata automaticamente.






- Per la temperatura raggiunta nella lavanderia, la durata del programma e altri dati, consultare il capitolo "Valori di consumo".
- I programmi più efficienti in termini di consumo energetico sono in genere quelli che funzionano a temperature più basse e durano più a lungo.

Caricando l'apparecchiatura alla capacità massima indicata per ogni programma è

possibile ridurre il consumo di energia e di acqua.

Detergenti idonei per i programmi di lavaggio

Programma	Polvere univ- ersale 1)	Liquido univ- ersale	Liquido per co- lorati	Capi delicati e di lana	Speciale
FullWash 45'	▲	▲	--	--	--
Cotoni	▲	▲	▲	--	--
Sintetici	▲	▲	▲	--	--
Delicati	--	--	--	▲	▲
Lana/Seta 	--	--	--	▲	▲
Lavaggio inten- sivo	▲	▲	▲	--	--
Jeans	--	--	▲	▲	▲
Sport	--	▲	▲	--	▲
Piumoni	--	--	--	▲	▲
Outdoor 	--	--	--	▲	▲
Hygiene 	▲	▲	--	--	▲
Eco 40-60	▲	▲	▲	--	--

1) A temperature superiori a 60 °C si consiglia l'uso di un detersivo in polvere.

-- = Non consigliato ▲ = Consigliato

13.4 Tipo e quantità di detersivo.

- Usare solo detersivi e altri additivi adatti ai lavaggi in lavabiancheria: Per prima cosa, attenersi a queste regole generiche:
 - detersivi in polvere (anche pastiglie e detersivi monodose) per tutti i tipi di tessuto, esclusi quelli delicati. Optare per i detersivi in polvere che contengono candeggina per i bianchi e per l'igienizzazione del bucato,
 - detersivo liquido (anche detersivi monodose), preferibilmente per programmi di lavaggio a bassa temperatura (60 °C max.), per tutti i tipi di tessuto o per quelli speciali per la lana.
- Non mescolare tipi diversi di detersivi.
- Utilizzare meno detergente se:

- si sta lavando un carico ridotto,
- il bucato è poco sporco,
- si forma molta schiuma durante il lavaggio.

- Quando si utilizzano pastiglie o capsule di detersivo, metterle sempre all'interno del cestello, non nel cassetto del detersivo e seguire le raccomandazioni del produttore.

Una quantità insufficiente di detersivo può causare:

- risultati di lavaggio insoddisfacenti,
- l'ingrigimento del carico di lavaggio,
- vestiti untì,
- muffa all'interno dell'apparecchiatura.

Una quantità eccessiva di detersivo può causare:

- formazione di schiuma,
- riduzione dell'effetto del lavaggio,
- risciacquo inadeguato,
- un maggiore impatto sull'ambiente.

13.5 Codici di allarme e possibili guasti

L'apparecchiatura non si avvia o si blocca durante il funzionamento. Cercare dapprima di risolvere il problema (fare riferimento alla tabella).

AVVERTENZA!


Scollegare la spina dalla presa di corrente prima di eseguire qualsiasi controllo.


Problema	Possibile soluzione
E10 L'apparecchiatura non carica l'acqua in modo appropriato.	<ul style="list-style-type: none">• Controllare che il rubinetto dell'acqua sia aperto.• Controllare che la pressione dell'acqua di alimentazione non sia troppo bassa. Per ottenere informazioni a questo proposito, contattare l'ente erogatore locale.• Controllare che il rubinetto dell'acqua non sia ostruito.• Verificare che il tubo di carico non sia attorcigliato, danneggiato o piegato.• Controllare che il collegamento del tubo di carico dell'acqua sia corretto.• Assicurarsi che il filtro del tubo di carico e il filtro della valvola non siano ostruiti.
E20 L'apparecchiatura non scarica l'acqua.	<ul style="list-style-type: none">• Assicurarsi che lo scarico del lavello non sia ostruito.• Assicurarsi che il tubo di scarico non sia attorcigliato o piegato.• Assicurarsi che il filtro di scarico non sia ostruito. Se necessario, pulire il filtro.• Controllare che il raccordo del tubo di scarico sia corretto.• Se si imposta un programma senza fase di scarico, impostare anche il programma di scarico.• Se si imposta un'opzione che termina con acqua nella vasca, impostare anche il programma di scarico.
E40 L'oblò dell'apparecchiatura è aperto o non è chiuso correttamente.	<ul style="list-style-type: none">• Assicurarsi che l'oblò sia chiuso correttamente.
E91 Guasto interno. Assenza di comunicazione tra gli elementi elettronici dell'apparecchiatura.	<ul style="list-style-type: none">• Il programma non si è concluso correttamente o l'apparecchiatura si è fermata troppo presto. Spegnerne e riaccendere l'apparecchiatura.• In caso di ricomparsa del codice allarme, contattare il Centro Assistenza Autorizzato.
EKO L'alimentazione di rete è instabile.	<ul style="list-style-type: none">• Attendere che si stabilizzi.
EFO Il dispositivo antiallagamento è attivo.	<ul style="list-style-type: none">• Scollegare l'apparecchiatura e chiudere il rubinetto dell'acqua. Contattare il Centro Assistenza Autorizzato.

Nel caso in cui il problema persista, contattare il Centro di Assistenza Autorizzato. Le informazioni necessarie per il Centro di Assistenza si trovano sulla targhetta dei dati

*Alcuni codici di allarme potrebbero non presentarsi. Con riserva di modifiche.

14. CONSIDERAZIONI SULL'AMBIENTE

Riciclare i materiali con il simbolo .
Smaltire l'imballaggio negli appositi contenitori per il riciclaggio. Aiutare a proteggere l'ambiente e la salute umana riciclando rifiuti derivanti da apparecchiature elettriche ed elettroniche. Non smaltire le

apparecchiature che riportano il simbolo  con i rifiuti domestici. Portare il prodotto al punto di riciclaggio più vicino o contattare il comune di residenza.

electrolux.com

135936910-A-042026



CE