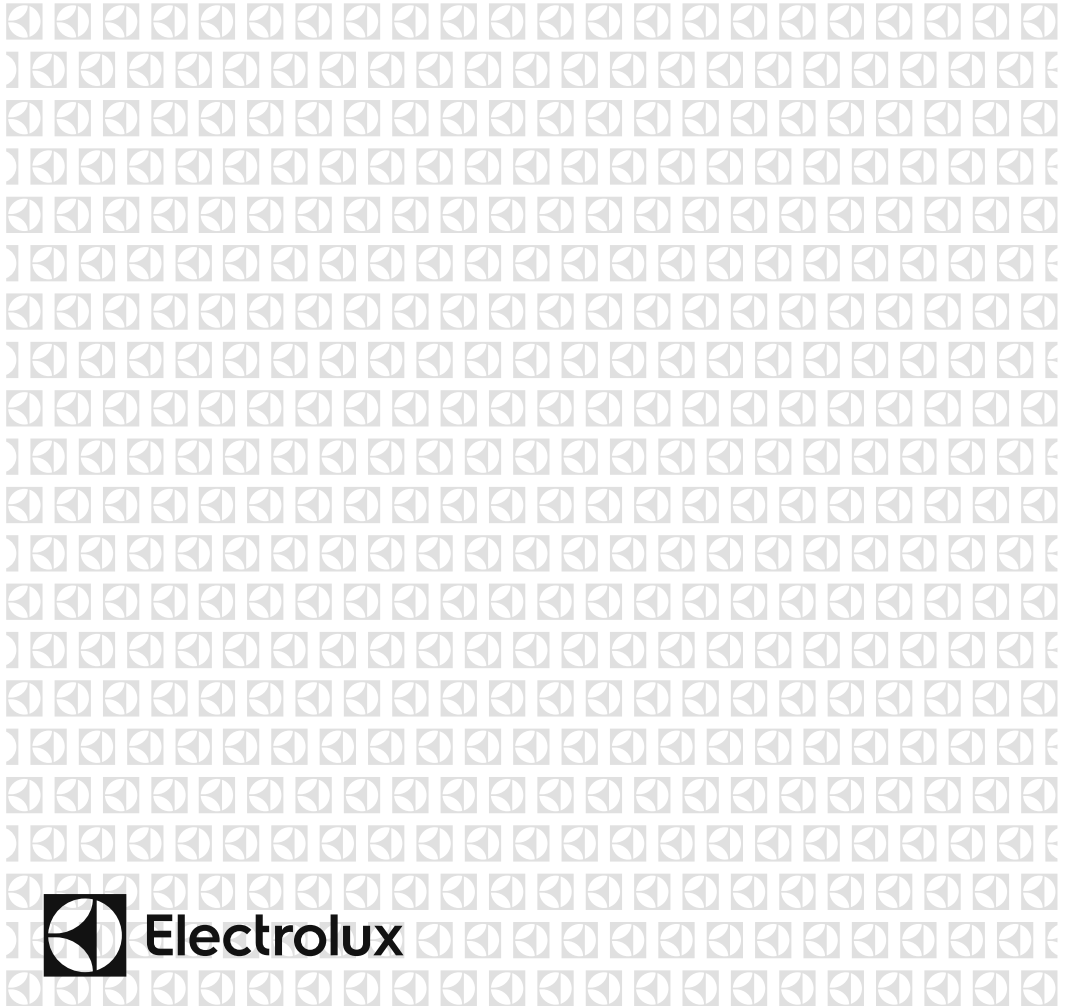


EN Microwave Oven
IT Forno a Microonde

User Manual
Manuale per L'utente

2
21



Electrolux

CONTENTS

1. SAFETY INFORMATION	3
2. INSTALLATION.....	7
3. PRODUCT DESCRIPTION.....	11
4. OPERATION	13
5. HINTS AND TIPS.....	17
6. TROUBLESHOOTING	19
7. TECHNICAL INFORMATION.....	20
8. ENERGY EFFICIENCY	20
9. ENVIRONMENT CONCERNS.....	20

WE'RE THINKING OF YOU

Thank you for purchasing an Electrolux appliance. You've chosen a product that brings with it decades of professional experience and innovation. Ingenious and stylish, it has been designed with you in mind. So whenever you use it, you can be safe in the knowledge that you'll get great results every time. Welcome to Electrolux.

Visit our website for:



Get usage advice, brochures, trouble shooter, service information:
www.electrolux.com



Register your product for better service:
www.electrolux.com/productregistration



Buy Accessories, Consumables and Original spare parts for your appliance:
www.electrolux.com/shop

CUSTOMER CARE AND SERVICE

We recommend the use of original spare parts.

When contacting Service, ensure that you have the following data available.

The information can be found on the rating plate. Model, PNC, Serial Number.

 Warning/ Caution-Safety information

 General information and tips

 Environmental information

Subject to change without notice.

1. SAFETY INFORMATION

This appliance can be used by children aged from 8 years and above and persons with reduced physical, sensory or mental capabilities or lack of experience and knowledge if they have been given supervision or instruction concerning use of the appliance in a safe way and understand the hazards involved. Children should be supervised to ensure that they do not play with the appliance. Cleaning and user maintenance shall not be made by children unless they are aged from 8 years and above and supervised.

This appliance is not intended for use at altitudes above 2000m.



IMPORTANT! IMPORTANT SAFETY INSTRUCTIONS: READ CAREFULLY AND KEEP FOR FUTURE REFERENCE.



WARNING!

Do not use the appliance without the turntable and turntable support. Do not use the appliance when empty.



WARNING!

If the door or door seals are damaged, the oven must not be operated until it has been repaired by a competent person.



WARNING!

It is hazardous for anyone other than a competent person to carry out any service or repair operation that involves the removal of a cover which gives protection against exposure to microwave energy.



WARNING!

Liquids and other foods must not be heated in sealed containers since they are liable to explode.

This appliance is intended to be used in household and similar applications such as: staff kitchen areas in shops, offices and other working environments; farm houses; by clients in hotels, motels and other residential environments; bed and breakfast type environments.

Only use microwave-safe containers and utensils.

Metallic containers for food and beverages are not allowed during microwave cooking.

Do not leave the oven unattended when using disposable plastic, paper or other combustible food containers.

The microwave oven is intended for heating food and beverages. Drying of food or clothing and heating of warming pads, slippers, sponges, damp cloth and similar may lead to risk of injury, ignition or fire.

If food being heated begins to smoke, **DO NOT OPEN THE DOOR**. Turn off and unplug the oven and wait until the food has stopped smoking. Opening the door while food is smoking may cause a fire.

Microwave heating of beverages can result in delayed eruptive boiling, therefore care has to be taken when handling the container.

The contents of feeding bottles and baby food jars shall be stirred or shaken and the temperature checked before consumption, in order to avoid burns.

Do not cook eggs in their shells and whole hard boiled eggs should not be heated in microwave ovens since they may explode even after microwave cooking has ended.

If the supply cord is damaged it must be replaced by the manufacturer, its service agent or similarly qualified persons in order to avoid a hazard.

1.1 Care and cleaning

Door:

To remove all trace of dirt, regularly clean both sides of the door, the door seals and sealing surfaces with a soft, damp cloth. Do not use harsh abrasive cleaners or sharp metal scrapers to clean the oven door glass since they can scratch the surface, which may result in shattering of the glass.

Oven interior:

For cleaning, wipe any splatters or spills with a soft damp cloth or sponge after each use while the oven is still warm. For heavier spills, use a mild soap and wipe several times with a damp cloth until all residues are removed. Do not remove the waveguide cover. Make sure that mild soap or water does not penetrate the small vents in the walls which may cause damage to the oven. Do not use spray type cleaners on the oven interior. Heat up your oven regularly by using the grill. Remaining food or fat splashed can cause smoke or a bad smell. Clean the waveguide cover, the oven cavity, the turntable and turntable support after use. These must be dry and free from grease. Built-up grease may overheat and begin to smoke or catch fire.

Oven exterior:

The outside of your oven can be cleaned easily with mild soap and water. Make sure the soap is wiped off with a moist cloth, and dry the exterior with a soft towel.

Control panel:

Open the door before cleaning to de-activate the control panel. Care should be taken when cleaning the control panel. Using a cloth dampened with water only, gently wipe the panel until it becomes clean. Avoid using excessive amounts of water. Do not use any sort of chemical or abrasive cleaner.

Turntable and turntable support:

Remove the turntable and turntable support from the oven. Wash the turntable and turntable support in mild soapy water. Dry with a soft cloth. Both the turntable and the turntable support are dishwasher safe.

Racks / Baking Plate:

These should be washed in a mild washing up liquid solution and dried. They are dishwasher safe.



IMPORTANT!

Clean the oven at regular intervals and remove any food deposits. Failure to maintain the oven in a clean condition could lead to a deterioration of the surface that could adversely affect the life of the appliance and possibly result in a hazardous situation.

Care should be taken not to displace the turntable when removing containers from the appliance.



IMPORTANT!

A steam cleaner should not be used.

The microwave oven is intended to be used built-in. The appliance must not be placed in a cabinet.

The appliance and its accessible parts become hot during use. Care should be taken to avoid touching heating elements.



WARNING!

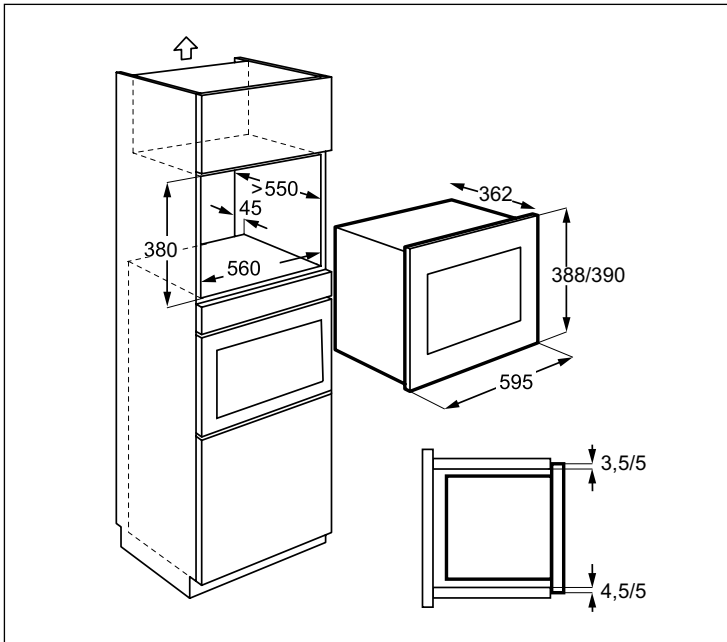
Keep children away from the door and accessible parts that may become hot when the grill & convection is in use. Children should be kept away to prevent them burning themselves.



IMPORTANT!

Do not use commercial oven cleaners, steam cleaners, abrasive, harsh cleaners, any that contain sodium hydroxide or scouring pads on any part of your microwave oven.

2. INSTALLATION



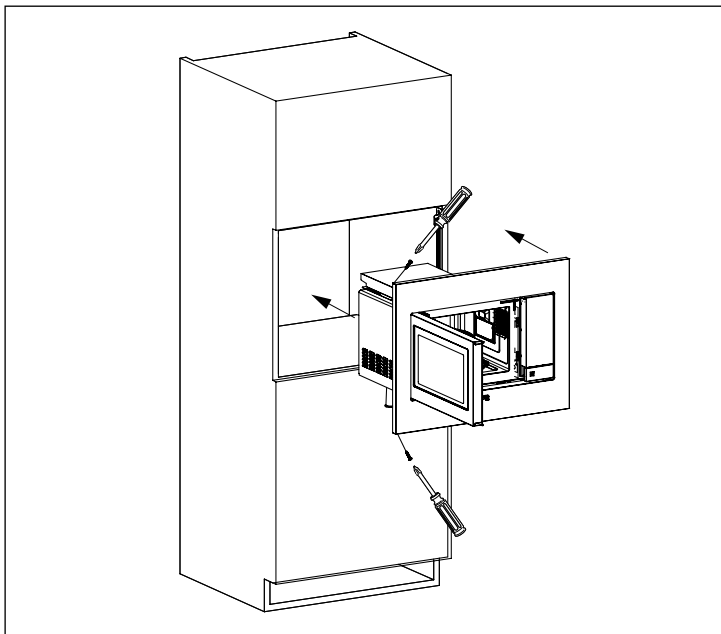
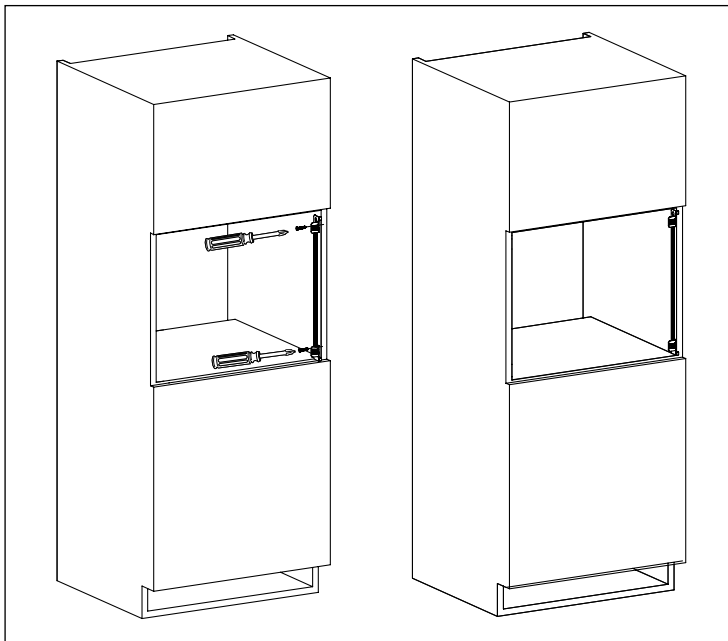
2.1 Installing the appliance

1. Remove all packaging and check carefully for any signs of damage.
2. Fit the fixing bracket to the right hand side of the kitchen cupboard using the installation sheet and two screws supplied.
3. Fit the appliance into the kitchen cupboard slowly and without force until it clips into the brackets. Ensure the appliance is stable and centralised.
4. Fix the oven on the left hand side using the two screws supplied.
5. The front frame of the appliance should seal against the front opening of the cupboard.

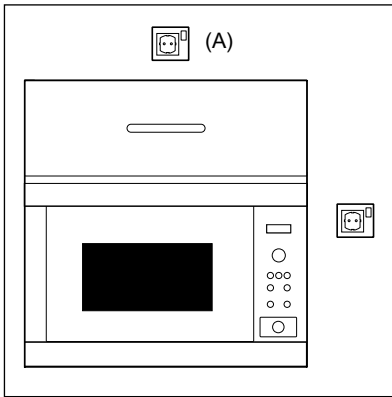


IMPORTANT!

Do not install this appliance in kitchen cupboards without the specified 45mm rear chimney. Inadequate ventilation could adversely affect the performance and life of the appliance.



2.2 Connecting the appliance to the power supply



- The electrical outlet should be readily accessible so that the unit can be unplugged easily in an emergency. Or it should be possible to isolate the oven from the supply by incorporating a switch in the fixed wiring in accordance with the wiring rules.
- The power supply cord may only be replaced by an electrician.
- If the supply cord is damaged it must be replaced by the manufacturer, its service agent or similarly qualified persons in order to avoid a hazard.
- The socket should not be positioned behind the cupboard.
- The best position is above the cupboard, see (A).
- Connect the appliance to a single phase 230 V/50 Hz alternating current via a correctly installed earth socket. The socket must be fused with a 16 A fuse.
- Before installing, tie a piece of string to the power supply cord to facilitate connection to point (A) when the appliance is being installed.
- When inserting the appliance into the high-sided cupboard, DO NOT crush the power supply cord.
- Do not immerse the power supply cord or plug in water or any other liquid.
- Do not allow the power supply cord to run over any hot or sharp surfaces, such as the hot air vent area at the top rear of the oven.

2.3 Additional advice

Do not use the microwave oven to heat oil for deep frying. The temperature cannot be controlled and the oil may catch fire. To make popcorn, only use special microwave popcorn makers.

Individuals with PACEMAKERS should check with their doctor or the manufacturer of the pacemaker for precautions regarding microwave ovens.

Never spill or insert any objects into the door lock openings or ventilation openings. In the event of a spill, turn off and unplug the oven immediately and call an authorised ELECTROLUX service agent.

Never modify the oven in any way.

Only use the turntable and the turntable support designed for this oven. Do not operate the oven without the turntable.

To prevent the turntable from breaking:

- Before cleaning the turntable with water, leave the turntable to cool.
- Do not put hot foods or hot utensils on a cold turntable.
- Do not put cold foods or cold utensils on a hot turntable.

Do not use plastic containers for microwaving if the oven is still hot from using the GRILL & CONVECTION modes because they may melt. Plastic containers must not be used during above modes unless the container manufacturer says they are suitable.

Neither the manufacturer nor the dealer can accept any liability for damage to the oven or personal injury resulting from failure to observe the correct electrical connection procedure. Water vapour or drops may occasionally form on the oven walls or around the door seals and sealing surfaces. This is a normal occurrence and is not an indication of microwave leakage or a malfunction.

Concerning the lamp(s) inside this product and spare part lamps sold separately: These lamps are intended to withstand extreme physical conditions in household appliances, such as temperature, vibration, humidity, or are intended to signal information about the operational status of the appliance. They are not intended to be used in other applications and are not suitable for household room illumination.

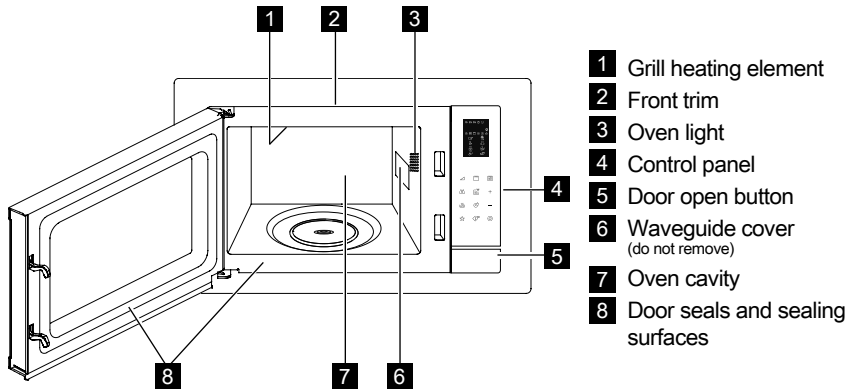


WARNING!

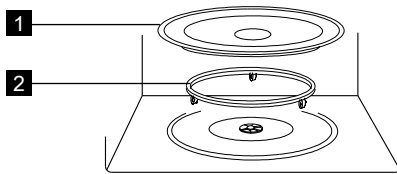
After GRILL & CONVECTION modes the oven cavity, door, oven cabinet and accessories will become very hot. Before cleaning, make sure they are completely cool.

3. PRODUCT DESCRIPTION

3.1 Microwave oven



3.2 Accessories



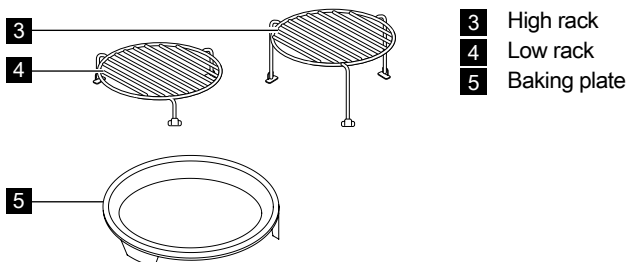
Check to make sure the following accessories are provided:

- 1 Turntable
- 2 Turntable support
- Place the turntable support on the floor of the cavity.
- Then place the turntable on the turntable support.
- To avoid turntable damage, ensure dishes or containers are lifted clear of the turntable rim when removing them from the oven.

i Always use the turntable parts when operating the microwave oven.

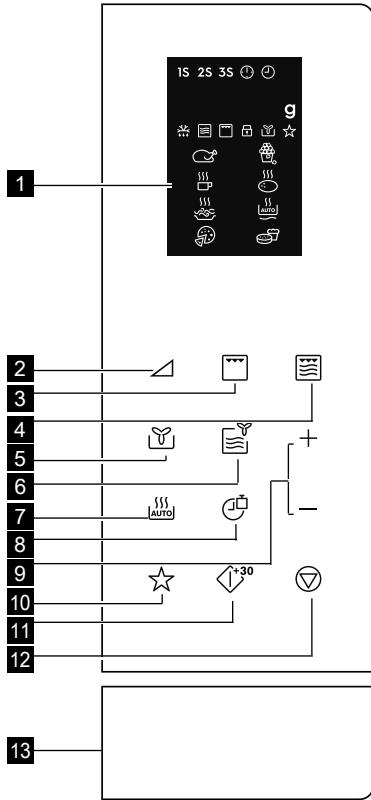


Use these parts for Grill & Convection cooking only.



i When you order accessories, please mention two items: part name and model name to your dealer or an authorised ELECTROLUX service agent.

3.3 Control panel



1 Digital display indicators:

1S 2S 3S Multi stage cooking



Clock set



Clock setting



Weight



Auto Defrost



Microwave



Grill



Child safety lock



Convection



Preset



Chicken



Beverages



Spaghetti



Pizza



Popcorn



Potato



Auto Reheat



Cake

2 Power level key

3 Grill key

4 Micro. + grill key

5 Convection key

6 Micro. + convection key

7 Auto cook key

8 Clock/weight key

9 Time +/- key

10 Preset key

11 Start/quick start key

12 Pause/cancel key

13 Door open button


4. OPERATION

4.1 Setting the clock

When the oven is plugged in for the first time you can have the option of setting the clock. The oven has a 12 and 24 hour clock.

Example: To set the clock.

1. In standby mode, press the **CLOCK/WEIGHT** key once to set 12 hour clock, if you want to set 24 hour clock, press it again.
2. Press the **TIME +/-** key to adjust the hour.
3. Press the **CLOCK/WEIGHT** key to confirm.
4. Press the **TIME +/-** key to adjust the minutes.
5. Press the **CLOCK/WEIGHT** key to confirm.


 During cooking, you can press the **CLOCK/WEIGHT** key to check the time of day.

4.2 Microwave cooking

Microwave cooking allows you to customize the cooking power and time. First, you select a power level by pressing the **POWER LEVEL** key (see the table below). Press the **TIME +/-** key to enter the cooking time. Maximum cooking time is 95 minutes.

Example: To cook for 5 minutes at 60 % power level.

1. Open the oven door and place the food inside. Close the door.
2. Press the **POWER LEVEL** key 5 times.
3. Press the **TIME +/-** key to enter the cooking time.
4. Press the **START/QUICK START** key.

 To check the microwave power level during cooking press the **POWER LEVEL** key. The power level default is 100 %.

At the end of cooking, the system will beep and End is displayed. Before starting another cooking session, press any key to clear the display and reset the system. Power levels

that are too high or cooking times that are too long may overheat foods resulting in a fire.

Power Level Key	Power Level
x 1	100 % (P-100)
x 2	90 % (P-90)
x 3	80 % (P-80)
x 4	70 % (P-70)
x 5	60 % (P-60)
x 6	50 % (P-50)
x 7	40 % (P-40)
x 8	30 % (P-30)
x 9	20 % (P-20)
x 10	10 % (P-10)
x 11	0 % (P-00)

4.3 Grill

Grill cooking is particularly useful for thin slices of meat, steaks, chops, kebabs, sausages and pieces of chicken. It is also suitable for hot sandwiches and au gratin dishes. Maximum cooking time is 95 minutes.

Example: To grill for 12 minutes.

1. Open the oven door and place the food inside. Close the door.
2. Press the **GRILL** key.
3. Press the **TIME +/-** key to enter cooking time.
4. Press the **START/QUICK START** key.



IMPORTANT! The high rack is recommended for grilling.

4.4 Micro. + Grill

Combi Micro/Grill mode combines the microwave and the grill functions at different time periods during cooking. Maximum cooking time is 95 minutes.

Example: To set Combi cooking for 25 minutes.

1. Open the oven door and place the food inside. Close the door.
2. Press the **MICRO. + GRILL** key once or twice.
3. Press the **TIME +/-** key to enter the cooking time.
4. Press the **START/QUICK START** key.

Micro. + Grill Key	Microwave	Grill	Use
x 1 Co - 1	30 %	70 %	fish, potatoes, au gratin
x 2 Co - 2	55 %	45 %	pudding, omelette, baked potatoes, poultry


4.5 Convection cooking

During convection cooking, hot air is circulated throughout the oven cavity to brown and make crisp foods quickly and evenly. This oven can be programmed for ten different cooking temperatures. Maximum cooking time is 95 minutes.

To cook with convection:

Example: To cook at 180°C for 40 minutes.

1. Open the oven door and place the food inside. Close the door.
2. Press the **CONVECTION** key 8 times.
3. Press the **TIME +/-** key to enter the cooking time.
4. Press the **START/QUICK START** key.


 To cook with convection, press **CONVECTION** key repeatedly to enter the desired convection temperature. To check the temperature during cooking press the **CONVECTION** key.

Convection Key	Temperature (°C)
x 1	110
x 2	120
x 3	130
x 4	140
x 5	150
x 6	160
x 7	170
x 8	180
x 9	190
x 10	200

To preheat and cook with convection: Your oven can be programmed to combine preheating and convection cooking operations.

Example: To preheat to 170°C and then cook 35 minutes.

1. Press **CONVECTION** key 7 times.
2. Press the **START/QUICK START** key. The oven will beep when the designated temperature is reached.
3. Open the oven door and place the food inside. Close the door.
4. Press the **TIME +/-** key to enter the cooking time.
5. Press the **START/QUICK START** key.


 The maximum preheat time is 30 minutes. The oven will count down from 30'00 until preheat temperature is reached. When the temperature reaches the preheat temperature, the countdown stops and beeps every 5 seconds for 30 minutes. If you don't open the oven door within the 30 minutes, the system will stop automatically with END in display.

4.6 Micro. + convection

This oven has one pre-programmed setting that makes it easy to cook with 200°C convection and microwave.

Example: To cook for 24 minutes on Micro. + Convection.


1. Open the oven door and place the food inside. Close the door.
2. Press the **MICRO. + CONVECTION** key.
3. Press the **TIME +/-** key to enter the cooking time.
4. Press the **START/QUICK START** key.

 To check the microwave power level during cooking press the **MICRO. + CONVECTION** key. Press **MICRO. + CONVECTION** key repeatedly to program convection temperature. Maximum cooking time is 95 minutes.

4.7 Preset


This function allows you to set the oven to start a cooking program at a later time.

1. Open the oven door and place the food inside. Close the door.
2. Enter the desired cooking program.
3. Press the **PRESET** key once.
4. Press the **TIME +/-** key to adjust the hour.
5. Press the **PRESET** key once.
6. Press the **TIME +/-** key to adjust the minutes.
7. Press the **START/QUICK START** key.

 Before using preset, check the oven clock time is correct. In preset mode the preset time can be seen by pressing the **PRESET** key. If you press the **PAUSE/CANCEL** key when the display shows the time, the function is cancelled. Preset cannot be used for Quick Start & Auto Defrost.

4.8 Quick start

You can directly start cooking on 100 % for 30 seconds by pressing the **START/QUICK START** key.


 To add more time press the **START/QUICK START** key.

4.9 Auto cook

Auto cook automatically works out the correct cooking mode and cooking time. You can choose from 9 menus.

Auto Cook	Food	Cooking Mode
A - 01	Chicken 800 - 1400 g	Micro. + Convection
A - 02	Popcorn 99 g	Micro.
A - 03	Milk/Coffee 1 - 3 cups	Micro.
A - 04	Baked Potato 1 - 3 pcs	Micro.
A - 05	Spaghetti 100 - 300 g	Micro.
A - 06	Auto Reheat 200 - 800 g	Micro.
A - 07	Pizza 150 - 450 g	Convection
A - 08	Cake	Convection
A - 09	Auto Defrost	Micro.

1. Open the oven door and place the food inside. Close the door.
2. Press the **AUTO COOK** key to select the food.
3. Press the **CLOCK/WEIGHT** key to select amount or weight.
4. Press the **START/QUICK START** key.


 Turn the chicken 2 to 3 times during cooking, close the oven door and press the **START/QUICK START** key to resume cooking.

4.10 Auto defrost

Auto defrost automatically works out the correct cooking mode for defrosting food.

Example: To defrost frozen food for 10 minutes.

1. Open the oven door and place the food inside. Close the door.
2. Press the **AUTO COOK** key 9 times until it shows A-09.
3. Press the **TIME +/-** key to set 10 minutes.
4. Press the **START/QUICK START** key.

 Turn the chicken 2 to 3 times during defrosting, close the oven door and press the **START/QUICK START** key to resume cooking.

4.11 Multi-stage cooking


A sequence of 3 stages (maximum) can be programmed.

Example: To cook:

Stage 1: 2 minutes 30 seconds at 70 %

Stage 2: 5 minutes grill

1. Open the oven door and place the food inside. Close the door.
2. Press the **POWER LEVEL** key 4 times.
3. Press the **TIME +/-** key to enter the cooking time.
4. Press the **GRILL** key once.
5. Press the **TIME +/-** key to enter the cooking time.
6. Press the **START/QUICK START** key.

 Auto Cook, Auto Defrost, and Quick Start cannot be set as a multi-stage cooking program.


4.12 Child safety lock

The child proof lock prevents unsupervised operation by children. The child safety lock is automatically enabled after 1 minute of no operation by the user. To cancel open the door.

4.13 Pause

To pause whilst the microwave is running.

1. Press the **PAUSE/CANCEL** key once to enter pause mode during cooking.
2. Press the **START/QUICK START** key to continue cooking.

 The oven will stop operating when the door is opened.

4.14 Oven protection features

This oven has 3 automatic systems to protect against abnormal cooking temperatures. In normal operation no user input is needed.

If one of the systems is triggered then the display shows an indication below and beeps continuously.

E01: Over temperature

E02: Under temperature

E03: Sensor

Press the **PAUSE/CANCEL** key to return the system to normal standby mode.

5. HINTS AND TIPS


5.1 Microwave safe cookware


Cookware	Microwave safe	Comments
Aluminium foil/containers	✓ / ✗	Small pieces of aluminium foil can be used to shield food from overheating. Keep foil at least 2 cm from the oven walls, as arcing may occur. Foil containers are not recommended unless specified by the manufacturer. Follow instructions carefully.
China and ceramics	✓ / ✗	Porcelain, pottery, glazed earthenware and bone china are usually suitable, except for those with metallic decoration.
Glassware e.g. Pyrex ®	✓	Care should be taken if using fine glassware as it can break or crack if heated suddenly.
Metal	✗	It is not recommended to use metal cookware when using microwave power as it will arc, which can lead to fire.
Plastic/polystyrene e.g. fast food containers	✓	Care must be taken as some containers warp, melt or discolour at high temperatures.
Freezer/roasting bags	✓	Must be pierced to let steam escape. Ensure bags are suitable for microwave use. Do not use plastic or metal ties, as they may melt or catch fire due to the metal arcing.
Paper-plates, cups and kitchen paper	✓	Only use for warming or to absorb moisture. Care must be taken as overheating may cause fire.
Straw and wooden containers	✓	Always attend the oven when using these materials as overheating may cause fire.
Recycled paper and newspaper	✗	May contain extracts of metal which will cause arcing and may lead to fire.

Cookware	Microwave	Grill	Convection	Combination*
Heat - resistant glass	✓	✓	✓	✓
Non Heat - resistant glass	✗	✗	✗	✗
Heat - resistant ceramics	✓	✓	✓	✓
Microwave - safe plastic dish	✓	✗	✗	✗
Kitchen paper	✓	✗	✗	✗
Baking plate	✗	✓	✓	✗
Racks	✗	✓	✓	✗
Aluminum foil & foil container	✗	✓	✓	✗

* Combination: applicable for both micro. grill and micro. convection cooking.


5.2 Microwave cooking advice

Microwave cooking advice	
Composition	Foods high in fat or sugar (e.g. Christmas pudding, mince pies) require less heating time. Care should be taken as overheating can lead to fire.
Size	For even cooking make all the pieces the same size.
Temperature of food	The initial temperature of food affects the amount of cooking time needed. Cut into foods with fillings (e.g. jam doughnuts) to release heat or steam.
Arrange	Place the thickest parts of food towards the outside of the dish (e.g. chicken drumsticks).
Cover	Use vented microwave cling film or a suitable lid.
Pierce	Foods with a shell, skin or membrane must be pierced in several places before cooking or reheating as steam will build up and may cause food to explode (e.g. potatoes, fish, chicken, sausages).  IMPORTANT! Eggs should not be heated using microwave power as they may explode, even after cooking has ended (e.g. poached, hard boiled).
Stir, turn and rearrange	For even cooking it is essential to stir, turn and rearrange food during cooking. Always stir and rearrange from the outside towards the centre.
Stand	Standing time is necessary after cooking to enable the heat to disperse equally throughout the food.
Shield	Warm areas can be shielded with small pieces of foil, which reflect microwaves (e.g. legs and wings on a chicken).

-  Use pot holders or oven gloves when removing food from the oven to prevent burns. Always open containers, popcorn makers, oven cooking bags, etc., away from the face and hands to avoid steam burns. Always stand back from the oven door when opening to avoid burns from escaping steam and heat. Slice stuffed baked foods after heating to release steam and avoid burns.

6. TROUBLESHOOTING

Problem	Check if . . .
The microwave appliance is not working properly?	<ul style="list-style-type: none"> • The fuses in the fuse box are working. • There has not been a power outage. • If the fuses continue to blow, please contact a qualified electrician.
The microwave mode is not working?	<ul style="list-style-type: none"> • The door is properly closed. • The door seals and their surfaces are clean. • The START key has been pressed.
The turntable is not turning?	<ul style="list-style-type: none"> • The turntable support is correctly connected to the drive. • The ovenware does not extend beyond the turntable. • Food does not extend beyond the edge of the turntable preventing it from rotating. • There is nothing in the well beneath the turntable.
The microwave will not switch off?	<ul style="list-style-type: none"> • Isolate the appliance from the fuse box. • Call an authorised ELECTROLUX service agent.
The interior light is not working?	<ul style="list-style-type: none"> • Call your authorised ELECTROLUX service agent. The interior light can be exchanged only by a trained authorised ELECTROLUX service agent.
The food is taking longer to heat through and cook than before?	<ul style="list-style-type: none"> • Set a longer cooking time (double quantity = nearly double time) or • If the food is colder than usual, rotate or turn from time to time or • Set a higher power setting.

 If the oven operates in any mode for 2 minutes or longer, the fan will stay on for 3 minutes after the cooking ends.

7. TECHNICAL INFORMATION

AC Line Voltage	230 V, 50 Hz, single phase	
Distribution line fuse/circuit breaker	Minimum 16 A	
AC Power required:	Microwave	1.400 kW
	Grill	1.000 kW
	Convection	1.950 kW
Output power:	Microwave	900 W (IEC 60705)
	Grill	1000 W
	Convection	1950 W
Microwave Frequency	2450 MHz ¹⁾ (Group 2/Class B)	
Outside Dimensions:	MQC326GXE	595 mm (W) x 390 mm (H) x 382 mm (D)
Cavity Dimensions	340 mm (W) x 210 mm (H) x 344 mm (D) ²⁾	
Oven Capacity	25 litres ²⁾	
Turntable	ø 270 mm, glass	
Weight	approx. 16.7 kg	


- 1) This Product fulfils the requirement of the European standard EN55011. In conformity with this standard, this product is classified as group 2 class B equipment. Group 2 means that the equipment intentionally generates radio-frequency energy in the form of electromagnetic radiation for the heat treatment of food. Class B equipment means that the equipment is suitable to be used in domestic establishments.
- 2) Internal capacity is calculated by measuring maximum width, depth and height. Actual capacity for holding food is less.

8. ENERGY EFFICIENCY

Product information for power consumption and maximum time to reach applicable low power mode

Power consumption in standby with display on	0.8 W
Maximum time needed for the equipment to automatically reach the applicable low power mode	5 min

9. ENVIRONMENT CONCERNS

Recycle materials with the symbol . Put the packaging in applicable containers to recycle it.

Help protect the environment and human health and recycle waste electrical and electronic appliances.



Do not dispose of appliances marked with the symbol with household waste. Return the product to your local recycling facility or contact your municipal office.

INDICE

1. NORME DI SICUREZZA.....	22
2. INSTALLAZIONE	27
3. DESCRIZIONE DEL PRODOTTO	31
4. FUNZIONAMENTO.....	33
5. SUGGERIMENTI E CONSIGLI	37
6. COSA FARE SE.....	39
7. DATI TECNICI	40
8. EFFICIENZA ENERGETICA	40
9. INFORMAZIONI AMBIENTALI.....	40

PENSATI PER VOI

Grazie per aver acquistato un'apparecchiatura Electrolux. Avete scelto un prodotto che ha alle spalle decenni di esperienza professionale e innovazione. Ingegnoso ed elegante, è stato progettato pensando a voi. Quindi, in qualsiasi momento desiderate utilizzarlo, potete esser certi di ottenere sempre i migliori risultati. Benvenuti in Electrolux.

Visitate il nostro sito web per:



Ricevere consigli, scaricare i nostri opuscoli, eliminare eventuali anomalie, ottenere informazioni sull'assistenza:

www.electrolux.com



Registrare il vostro prodotto e ricevere un servizio migliore:

www.electrolux.com/productregistration



Acquistare accessori, materiali di consumo e ricambi originali per la vostra apparecchiatura:

www.electrolux.com/shop


SERVIZIO CLIENTI E MANUTENZIONE


Consigliamo sempre l'impiego di ricambi originali.

Quando si contatta l'Assistenza, accertarsi di disporre dei seguenti dati.

Le informazioni si trovano sulla targhetta di identificazione. Modello, numero dell'apparecchio (PNC), numero di serie.

 Avvertenza/Attenzione - Importanti Informazioni di Sicurezza

 Informazioni e suggerimenti generali

 Informazioni sull'ambiente

Con riserva di modifiche.

1. NORME DI SICUREZZA

Questa apparecchiatura può essere utilizzata da bambini di età superiore a 8 anni e da persone con ridotte capacità mentali, sensoriali o fisiche oppure con poca esperienza o conoscenza se sorvegliate o precedentemente istruite in merito all'utilizzo sicuro dell'apparecchiatura e se hanno compreso i rischi che comporta. I bambini devono usare il forno soltanto in presenza di un adulto. La pulizia e la manutenzione non devono essere eseguite dai bambini a meno che questi non abbiano almeno 8 anni e siano sorvegliati.

L'elettrodomestico non è idoneo all'uso ad altitudini superiore ai 2.000 m.



IMPORTANTE! ISTRUZIONI PER LA SICUREZZA PERSONALE DA LEGGERE ATTENTAMENTE E CONSERVARE PER OGNI RIFERIMENTO FUTURO.



ATTENZIONE!

Non usare l'apparecchio senza il piatto rotante e il supporto per il piatto rotante. Non usare quando l'apparecchio è vuoto.



ATTENZIONE!

Lo sportello o le relative guarnizioni si danneggiano, non usate il forno sino all'avvenuta riparazione da parte di personale competente.



ATTENZIONE!

Eseguire interventi di assistenza o riparazione che coinvolgono la rimozione del coperchio che protegge dall'esposizione all'energia a microonde è rischioso per chiunque non sia una persona competente.



ATTENZIONE!

Non riscaldare liquidi o altri cibi in contenitori sigillati, perché potrebbero esplodere.

Questo prodotto è destinato all'utilizzo domestico e in ambienti simili quali: cucine riservate allo staff in negozi, uffici e altri ambienti di lavoro; fattorie; clienti di hotel, motel e altri ambienti legati all'ospitalità; ambienti tipo "bed and breakfast".

Usate esclusivamente recipienti e utensili adatti per forni a microonde.

Non è consentita la presenza di contenitori metallici per alimenti e bevande durante la cottura al microonde.

Non lasciate il forno incustodito usando plastica, carta od altro recipiente infiammabile a perdere.

Il forno a microonde è destinato al riscaldamento di pietanze e bevande. L'utilizzo per l'essiccazione di cibo o l'asciugatura di abiti oppure per il riscaldamento di cuscini, asciugamani, spugne, panni bagnati e altri articoli simili può comportare il rischio di lesione, combustione o incendio.

Se il cibo che si riscalda nel forno comincia a sprigionare fumo, **NON APRITE LO SPORTELLLO**. Spegnete il forno, staccate il cavo di alimentazione. Prima di riaprire lo sportello accertatevi che non ci sia più fumo all'interno del forno. Se si apre lo sportello mentre il cibo sta ancora fumando c'è il pericolo d'incendio.

Il riscaldamento delle bevande nel microonde può provocare un'ebollizione ritardata, si consiglia la massima attenzione quando si toglie il recipiente dal forno.

Controllare i contenuti delle bottiglie di alimentazione e dei vasi con gli alimenti per il bambino da agitare o scuotere e la temperatura prima del consumo per evitare scottature.

Non usare il forno a microonde per cuocere le uova con il guscio né per riscaldare le uova sode intere, perché potrebbero esplodere dopo la fase di riscaldamento.

Se il cavo di alimentazione è danneggiato, deve essere sostituito dal produttore, il suo agente di servizio o da persone dalle qualifiche simili per evitare rischi.

1.1 Manutenzione e pulizia

Sportello:

Pulire spesso la porta da entrambi i lati, la guarnizione della porta e le superfici della guarnizione, utilizzare un panno umido per togliere lo sporco. Non utilizzare detergenti abrasivi o raschietti di metallo appuntiti per pulire il vetro del forno in quanto possono graffiare la superficie e, di conseguenza, danneggiare il vetro.

Interno del forno:

Per la pulizia: togliete ogni tipo di sporco con un panno morbido o spugna subito dopo l'uso a forno ancora caldo. Per lo sporco più difficile, usate un detergente dolce e pulite più volte con un panno umido finché tutto lo sporco non sarà rimosso. Non rimuovere la copertina della guida. Controllate che sapone ed acqua non penetrino attraverso i fori nelle pareti, perché possono causare danni al forno. Non usate detergenti spray all'interno del forno. Ad intervalli regolari, riscaldare il forno usando il grill, poiché gli schizzi di cibi o di olio possono causare la formazione di fumo e cattivi odori. Dopo l'uso, pulite sempre il coperchio guida onde, la cavità del forno, il piatto girevole e il sostegno rotante. Essi devono essere asciugati ed esenti da grasso. Gli accumuli di grasso possono surriscaldarsi, fumare o infiammarsi.

Esterno del forno a microonde:

L'esterno del forno può essere facilmente pulito con acqua saponata. Non mancate di togliere il sapone ed asciugare il forno a microonde con un panno morbido ed asciutto.

Pannello di controllo:

Aprire innanzitutto lo sportello in modo da disattivare il pannello di controllo. Eseguire le operazioni di pulizia del pannello di controllo con attenzione. Usando un panno, inumidito soltanto con acqua, strofinare delicatamente il pannello finché non diventa pulito. Evitate di usare troppa acqua. Non usate detergenti corrosivi.

Piatto rotante e supporto:

Togliete dal forno il piatto rotante e il supporto e lavateli. Con acqua leggermente saponata. Asciugateli con un panno morbido. Sia il piatto rotante sia il supporto possono essere lavati nella lavapiatti.

Griglie / vassoi:

Si consiglia di lavare le griglia con detersivo per piatti diluito e di asciugarle. Possono essere lavati in lavastoviglie.



IMPORTANTE!

Pulisca il forno a intervalli normali e rimuova tutti i residui di alimenti. Se il forno non viene mantenuto pulito, la superficie potrebbe deteriorarsi compromettendo la durata dell'apparecchio e comportando possibili situazioni di rischio.

Fare attenzione a non spostare il tavolo durante la rimozione dei contenitori dall'apparecchiatura.



IMPORTANTE!

Non utilizzare getti a vapore.

Il forno a microonde è progettato per essere usato in modo integrato.

L'apparecchio non deve essere messo in un alloggiamento.

L'apparecchiatura e le parti accessibili diventano calde durante l'utilizzo. È necessario prestare attenzione a non toccare gli elementi riscaldanti.



ATTENZIONE!

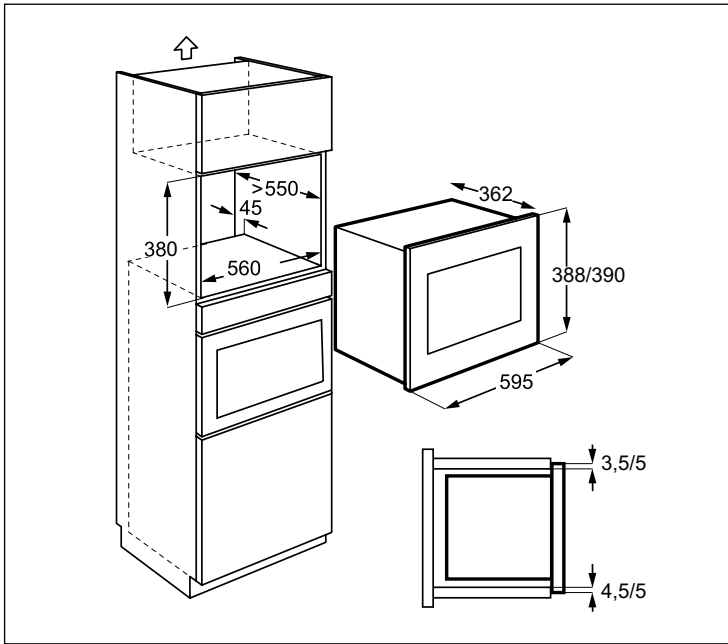
Tenere i bambini lontani dallo sportello e da altre parti accessibili che potrebbero riscaldarsi quando il grill e la convezione sono in uso. I bambini devono essere tenuti lontani per evitare che possano bruciarsi.



IMPORTANTE!

Non utilizzare su nessuna parte del forno detersivi per forni commerciali, getti a vapore, abrasivi, detersivi ruvidi o che contengono idrossido di sodio né spugne abrasive.

2. INSTALLAZIONE



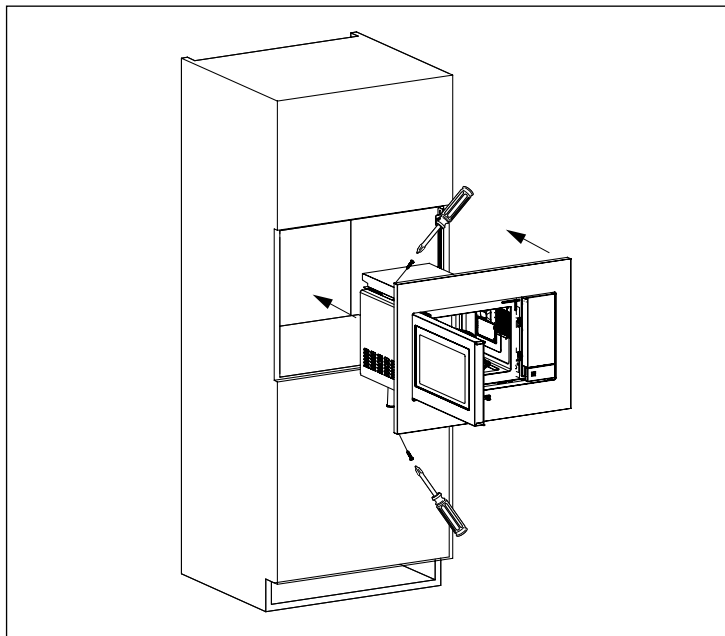
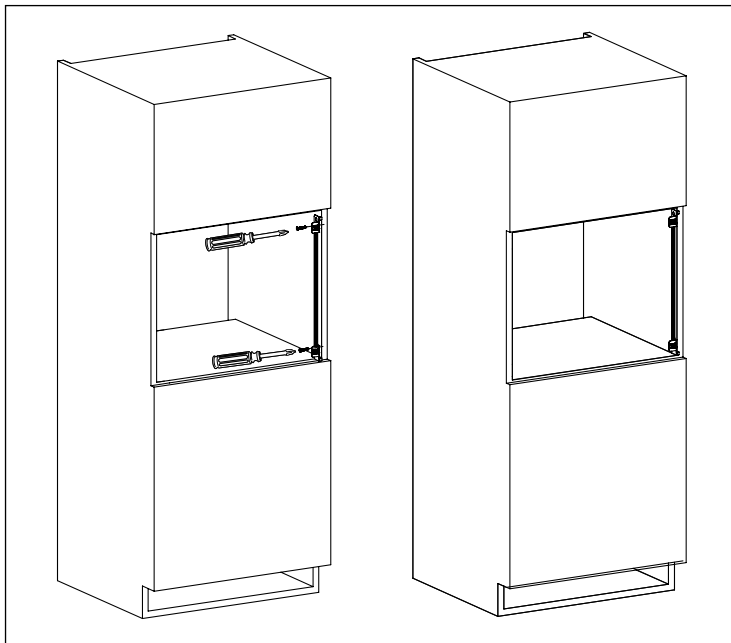
2.1 Installazione dell'elettrodomestico

1. Rimuovere l'imballo e verificare l'eventuale presenza di danni sull'apparecchio.
2. Inserire il supporto di fissaggio sul lato destro della credenza della cucina utilizzando il foglio di installazione e due viti fornite.
3. Inserire l'apparecchio nella credenza lentamente e senza forzare finché non si incastra nel supporto. Assicurarsi che l'apparecchio sia stabile e centrato.
4. Fissare il forno sul lato sinistro utilizzando due viti fornite.
5. Il telaio anteriore del forno dovrebbe poggiare contro l'apertura anteriore del mobile senza lasciare spazi.

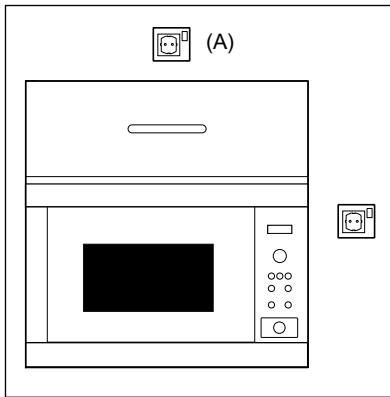


IMPORTANTE!

Non installare questo apparecchio in credenze in cucina senza lo spazio di ventilazione posteriore di 45 mm specificato. Una ventilazione inadeguata può influenzare negativamente le prestazioni e la vita dell'apparecchio.



2.2 Collegare l'apparecchio alla rete



- La presa elettrica deve essere facilmente accessibile per consentire il rapido scollegamento dell'unità in caso di emergenza. Oppure deve essere possibile isolare il forno dall'alimentazione inserendo un interruttore nell'impianto in conformità con le norme impiantistiche.
- Il cavo di alimentazione può essere sostituito esclusivamente da un elettricista.
- Se il cavo di alimentazione è danneggiato, deve essere sostituito dal produttore, il suo agente di servizio o da persone dalle qualifiche simili per evitare rischi.
- La presa non deve essere posizionata dietro la colonna forno.
- La posizione migliore è sopra la colonna forno, vedi (A).
- Collegare l'elettrodomestico a corrente alternata monofase 230 V/50 Hz mediante una presa di terra correttamente installata. La presa deve essere fusa con un fusibile 16 A.
- Prima dell'installazione legare un pezzo di corda al cavo di alimentazione per agevolare il collegamento al punto (A) durante l'installazione dell'apparecchio.
- Durante l'inserimento dell'apparecchio all'interno della colonna forno a fianchi alti NON schiacciare il cavo di alimentazione.
- Non immergere il cavo di alimentazione o la spina in acqua o in altro liquido.
- Tenete il cavo di alimentazione lontano da superfici riscaldate, compresa la parte posteriore del forno.

2.3 Raccomandazioni aggiuntive

Non usate il forno a microonde per friggere o riscaldare l'olio di frittura. La temperatura in tal caso non può essere controllata e può causare un incendio. Per fare il granoturco soffiato (popcorn), usate esclusivamente le confezioni apposite per microonde.

Chi porta uno STIMOLATORE CARDIACO deve rivolgersi al medico o al fabbricante dello stimolatore cardiaco riguardo alle precauzioni da prendere per l'uso del forno a microonde.

Non inserite alcun oggetto nelle aperture di ventilazione del forno. In caso di versamenti, spegnere e staccare immediatamente il forno e contattare un agente di servizio autorizzato ELECTROLUX.

Non modificate il alcun modo il forno.

Usate soltanto il piatto rotante e il sostegno rotante progettati per questo forno. Non utilizzare il forno senza il piatto girevole.

Per evitare che il piatto rotante si rompa:

- Prima di pulire il piatto rotante con acqua, lasciatelo raffreddare.
- Non mettete cibi o utensili caldi sul piatto rotante freddo.
- Non mettete cibi o utensili freddi sul piatto rotante caldo.

Non utilizzare contenitori di plastica con il microonde se il forno è ancora caldo durante l'utilizzo delle modalità GRILL E CONVEZIONE perché potrebbero sciogliersi. I contenitori di plastica non devono essere usati con le funzioni sopra indicate, a meno che il loro fabbricante non assicuri che sono adatti allo scopo.

Il fabbricante e il rivenditore non possono essere ritenuti responsabili per i danni al forno e/o alle persone causati da un non corretto collegamento elettrico. Sulle pareti del forno, o intorno alle guarnizioni e superfici di tenuta dello sportello, potrebbero formarsi vapore o gocce d'acqua. Ciò è normale e non indica una perdita o un difetto del forno.

Per quanto riguarda la lampada o le lampade all'interno di questo prodotto e le lampade di ricambio vendute separatamente: Queste lampade sono destinate a resistere a condizioni fisiche estreme negli elettrodomestici, come temperatura, vibrazioni, umidità, o sono destinate a segnalare informazioni sullo stato operativo dell'apparecchio. Non sono destinate ad essere utilizzate in altre applicazioni e non sono adatte per l'illuminazione di ambienti domestici.

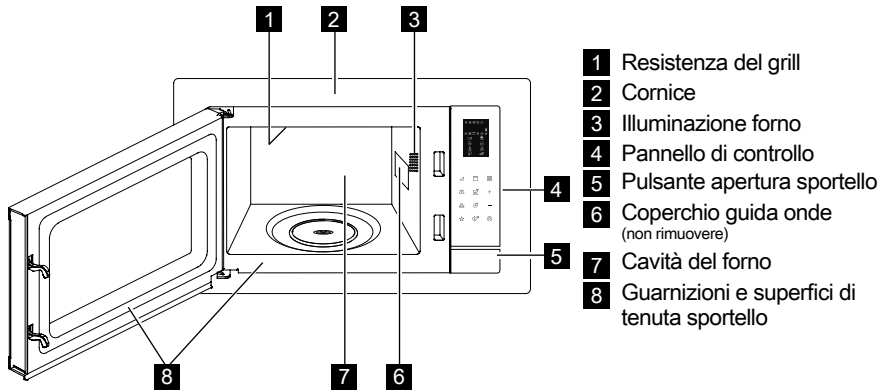


ATTENZIONE!

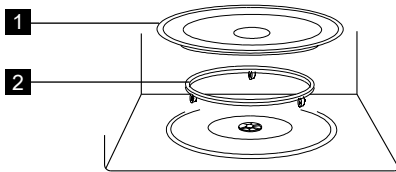
Dopo l'uso nelle modalità GRILL E CONVEZIONE l'interno, l'esterno e lo sportello del forno e gli accessori diventeranno molto caldi. Prima di pulire, assicurarsi che si siano raffreddati.

3. DESCRIZIONE DEL PRODOTTO

3.1 Forno a microonde



3.2 Accessori



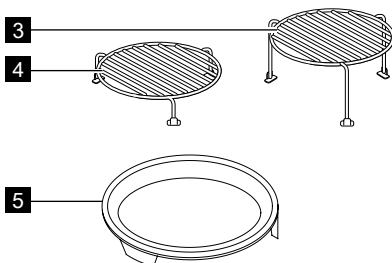
Accertarsi che la confezione contenga i seguenti accessori:

- 1 Piatto rotante
- 2 Supporto per piatto rotante
- Collocare il supporto del piatto sul pavimento della cavità.
- Inserirvi quindi il piatto rotante.
- Onde evitare di danneggiare il piatto rotante, accertarsi di sollevare perfettamente i piatti o i contenitori dal bordo del piatto rotante quando li si toglie dal forno.

i Usare sempre le parti del piatto girevole quando si usa il forno a microonde.

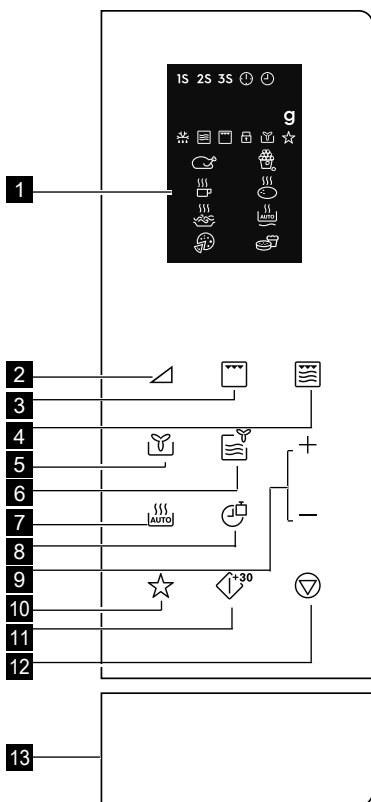


Usare queste parti solo per grill e cottura a convezione.



i Se si inseriscono degli accessori, indicate due elementi: nome parte e nome modello al proprio rivenditore o a un agente di servizio autorizzato ELECTROLUX.

3.3 Pannello di controllo



1 Display digitale indicatori:

1S 2S 3S Cottura multifase

 Orologio configurato

 Configurazione orologio

g Peso

 Scongelo automatico

 Microonde

 Grill

 Blocco di sicurezza bambino

 Convezione

 Preset

 Pollo

 Bevande


 Spaghetti

 Pizza

 Popcorn

 Patata

 Riscaldamento automatico

 Torta

2 Pulsanti livello di potenza

3 Pulsante grill

4 Pulsante micro. + grill

5 Pulsante convezione

6 Pulsante micro. + convezione

7 Pulsante cottura automatica

8 Pulsante orologio/peso

9 Pulsante tempo +/-

10 Pulsante preset

11 Pulsante start/quick start

12 Pulsante pausa/annulla

13 Pulsante apertura sportello

4. FUNZIONAMENTO

4.1 Impostazione dell'orologio

Quando il forno è collegato per la prima volta all'alimentazione, è possibile impostare l'orologio. L'orologio del forno utilizza cicli da 12 e da 24 ore.

Esempio: Per impostare l'orologio.

1. In modalità stand-by, premere una volta il pulsante **OROLOGIO/PESO** per impostare l'orologio su cicli da 12 ore; se si desidera impostarlo su cicli da 24 ore, premerlo ancora.
2. Premere il pulsante **TEMPO +/-** per regolare l'ora.
3. Premere il pulsante **OROLOGIO/PESO** per confermare.
4. Premere il pulsante **TEMPO +/-** per regolare i minuti.
5. Premere il pulsante **OROLOGIO/PESO** per confermare.



Durante la cottura, è possibile premere il pulsante **OROLOGIO/PESO** per controllare l'ora del giorno.

4.2 Livello di potenza delle microonde

La cottura a microonde permette di personalizzare la potenza e il tempo di cottura. Per prima cosa, selezionare un livello di potenza premendo il pulsante **LIVELLO DI POTENZA** (vedere la tabella riportata di seguito). Premere il pulsante **TEMPO +/-** per regolare il tempo di cottura. Il tempo di cottura massimo è 95 minuti.

Esempio: Per cuocere per 5 minuti a un livello di potenza del 60 %.

1. Aprire lo sportello del forno e collocare il cibo all'interno. Chiudere lo sportello.
2. Premere il pulsante **LIVELLO DI POTENZA** per cinque volte.
3. Premere il pulsante **TEMPO +/-** per regolare il tempo di cottura.
4. Premere il pulsante **START/QUICK START**.



Per controllare il livello di potenza del microonde durante la cottura, premere il pulsante **LIVELLO DI**

POTENZA. Il livello di potenza predefinito è 100 %.

Al termine della cottura, il sistema emetterà dei segnali acustici e sul display apparirà "End". Prima di iniziare un'altra sessione di cottura, premere un pulsante qualsiasi per azzerare il display e il sistema. Livelli di potenza troppo alti o tempi di cottura troppo lunghi potrebbero riscaldare eccessivamente il cibo originando fiamme.

Pulsanti Livello di Potenza	Livello di Potenza
x 1	100 % (P100)
x 2	90 % (P-90)
x 3	80 % (P-80)
x 4	70 % (P-70)
x 5	60 % (P-60)
x 6	50 % (P-50)
x 7	40 % (P-40)
x 8	30 % (P-30)
x 9	20 % (P-20)
x 10	10 % (P-10)
x 11	0 % (P-00)

4.3 Grill

La cottura col grill è particolarmente utile per fette di carne sottili, bistecche, bracioline, kebab, salsicce e pezzi di pollo. È anche utile per panini caldi e piatti al gratin. Il tempo di cottura massimo è 95 minuti.

Esempio: Per cuocere tramite grill per 12 minuti.

1. Aprire lo sportello del forno e collocare il cibo all'interno. Chiudere lo sportello.
2. Premere il pulsante **GRILL**.
3. Premere il pulsante **TEMPO +/-** per regolare il tempo di cottura.
4. Premere il pulsante **START/QUICK START**.



IMPORTANTE! Per cuocere con il grill si consiglia l'uso della griglia alta o bassa.

4.4 Micro. + Grill

La modalità Combi Micro/Grill combina le funzioni microonde e grill per diverse durate durante la cottura.

Il tempo di cottura massimo è 95 minuti.

Esempio: Per impostare la cottura combinata per 25 minuti.

1. Aprire lo sportello del forno e collocare il cibo all'interno. Chiudere lo sportello.
2. Premere il pulsante **MICRO. + GRILL** una o due volte.
3. Premere il pulsante **TEMPO +/-** per regolare il tempo di cottura.
4. Premere il pulsante **START/QUICK START**.

Pulsante Micro. + Grill	Microonde	Grill	Uso
x 1 Co - 1	30 %	70 %	pesce, patate, al gratin
x 2 Co - 2	55 %	45 %	pudding, omelette, patate al forno, farcite, pollame

4.5 Cottura con convezione


Durante la cottura con convezione, l'aria calda circola attraverso l'interno del forno per dorare il cibo e renderlo croccante rapidamente e uniformemente. Questo forno può essere programmato per dieci diverse temperature di cottura.

Il tempo di cottura massimo è 95 minuti.

Per cuocere con convezione:

Esempio: Per cuocere a 180°C per 40 minuti.

1. Aprire lo sportello del forno e collocare il cibo all'interno. Chiudere lo sportello.
2. Premere il pulsante **CONVEZIONE** per 8 volte.
3. Premere il pulsante **TEMPO +/-** per regolare il tempo di cottura.
4. Premere il pulsante **START/QUICK START**.

 Per cuocere con convezione, premere il pulsante **CONVEZIONE** ripetutamente per indicare la temperatura di convezione desiderata. Per controllare la temperatura

durante la cottura, premere il pulsante **CONVEZIONE**.


Pulsante Convezione	Temperatura (°C)
x 1	110
x 2	120
x 3	130
x 4	140
x 5	150
x 6	160
x 7	170
x 8	180
x 9	190
x 10	200

Per preriscaldare e cuocere con convezione:

Il forno può essere programmato per combinare le operazioni di cottura di preriscaldamento e convezione.

Esempio: Per preriscaldare a 170°C e poi cuocere per 35 minuti.

1. Premere il pulsante **CONVEZIONE** 7 volte.
2. Premere il pulsante **START/QUICK START**. Il forno emetterà un segnale acustico quando verrà raggiunta la temperatura indicata.
3. Aprire lo sportello del forno e collocare il cibo all'interno. Chiudere lo sportello.
4. Premere il pulsante **TEMPO +/-** per regolare il tempo di cottura.
5. Premere il pulsante **START/QUICK START**.

 Il tempo massimo di preriscaldamento è 30 minuti. Il forno conterà alla rovescia da 30'00 finché la temperatura di preriscaldamento sarà raggiunta. Quando la temperatura raggiunge la temperatura di preriscaldamento, il conto alla rovescia si fermerà e si udiranno segnali acustici ogni 5 secondi per 30 minuti. Se lo sportello del forno non viene aperto entro i 30 minuti, il sistema si interromperà automaticamente con la scritta END sul display.

4.6 Micro. + convezione

Il forno ha una impostazione pre-programmata che rende facile cuocere con convezione e microonde a 200°C.

Esempio: Per cuocere per 24 minuti su Micro. + Convezione.

1. Aprire lo sportello del forno e collocare il cibo all'interno. Chiudere lo sportello.
2. Premere il pulsante **MICRO. + CONVEZIONE**.
3. Premere il pulsante **TEMPO +/-** per regolare il tempo di cottura.
4. Premere il pulsante **START/QUICK START**.

i Per controllare il livello di potenza delle microonde durante la cottura, premere il pulsante **MICRO. + CONVEZIONE**. Premere il pulsante **MICRO. + CONVEZIONE** ripetutamente per programmare la temperatura di convezione. Il tempo di cottura massimo è 95 minuti.

4.7 Preset

Questa funzione ti permette di impostare il forno per iniziare il programma di cottura in un momento successivo.

1. Aprire lo sportello del forno e collocare il cibo all'interno. Chiudere lo sportello.
2. Selezionare il programma di cottura desiderato.
3. Premere il pulsante **PRESET** una volta.
4. Premere il pulsante **TEMPO +/-** per regolare l'ora.
5. Premere il pulsante **PRESET** una volta.
6. Premere il pulsante **TEMPO +/-** per regolare i minuti.
7. Premere il pulsante **START/QUICK START**.

i Prima di usare il preset, controllare che l'orologio del forno segni l'ora esatta. In modalità preset, l'ora del preset può essere impostata premendo il pulsante **PRESET**. Premendo il pulsante **PAUSA/ANNULLA** quando il display mostra l'ora, la funzione viene annullata. Preset non può essere usato per l'avvio rapido o lo scongelamento automatico.

4.8 Avvio rapido

È possibile iniziare la cottura al 100 % per 30 secondi premendo il pulsante **START/QUICK START**.

i Per aggiungere ulteriore tempo, premere il pulsante **START/QUICK START**.

4.9 Cottura automatica

La cottura automatica adopera autonomamente la modalità di cottura e il tempo adeguati. È possibile scegliere tra 9 menu.

Cottura automatica	Alimenti	Funzione di cottura
A - 01	Pollo 800 - 1400 g	Micro. + Convezione
A - 02	Popcorn 99 g	Micro.
A - 03	Latte/caffè 1 - 3 tazze	Micro.
A - 04	Patata al forno farcita 1 - 3 pezzi	Micro.
A - 05	Spaghetti 100 - 300 g	Micro.
A - 06	Riscaldamento automatico 200 - 800 g	Micro.
A - 07	Pizza 150 - 450 g	Convezione
A - 08	Torta	Convezione
A - 09	Scongellamento automatico	Micro.

1. Aprire lo sportello del forno e collocare il cibo all'interno. Chiudere lo sportello.
2. Premere il pulsante **COTTURA AUTOMATICA** per selezionare il cibo.
3. Premere il pulsante **OROLOGIO/PESO** per selezionare il peso.
4. Premere il pulsante **START/QUICK START**.


i Capovolgere il pollo da 2 a 3 volte durante la cottura, chiudere lo sportello del forno e premere il pulsante **START/QUICK START** per riprendere la cottura.

4.10 Scongelamento automatico

Lo scongelamento automatico adopera autonomamente la modalità di cottura per scongelare il cibo.

Esempio: Per scongelare il cibo congelato per 10 minuti.

1. Aprire lo sportello del forno e collocare il cibo all'interno. Chiudere lo sportello.
2. Premere il pulsante **COTTURA AUTOMATICA** per 9 volte finché non appare A-09.
3. Premere il pulsante **TEMPO +/-** per impostare 10 minuti.
4. Premere il pulsante **START/QUICK START**.

 Capovolgere il pollo due o tre volte durante lo scongelamento, chiudere lo sportello del forno e premere il pulsante **START/QUICK START** per riprendere la cottura.

4.11 Cottura multifase


Può essere programmata una sequenza di (massimo) 3 fasi.

Esempio: Per cuocere:

Fase 1: 2 minuti e 30 secondi al 70 %

Fase 2: 5 minuti in modalità grill

1. Aprire lo sportello del forno e collocare il cibo all'interno. Chiudere lo sportello.
2. Premere il pulsante **LIVELLO DI POTENZA** per 4 volte.
3. Premere il pulsante **TEMPO +/-** per regolare il tempo di cottura.
4. Premere una volta il pulsante **GRILL**.
5. Premere il pulsante **TEMPO +/-** per regolare il tempo di cottura.
6. Premere il pulsante **START/QUICK START**.

 Cottura automatica, Scongelamento automatico e Quick start non possono essere impostati come programmi di cottura multi-fase.


4.12 Blocco di sicurezza bambino

Il blocco a prova di bambino previene l'utilizzo da parte di bambini non supervisionati. Il blocco per bambini si attiva automaticamente dopo 1 minuto di mancato utilizzo da parte dell'utente. Per annullare, aprire lo sportello.

4.13 Pausa

Per mettere in pausa durante l'uso del microonde.

1. Premere una volta il pulsante **PAUSA/ANNULLA** per entrare in modalità pausa durante la cottura.
2. Premere il pulsante **START/QUICK START** per continuare la cottura.

 Il forno smette di funzionare quando lo sportello viene aperto.

4.14 Funzioni di protezione del forno

Questo forno ha 3 sistemi automatici per prevenire temperature di cottura anormali. Nel normale utilizzo, non è necessaria alcuna indicazione dall'utente.

Se uno dei sistemi viene attivato, il display mostra uno dei seguenti avvisi ed emette segnali acustici continui.

E01: Temperatura eccessivamente alta

E02: Temperatura eccessivamente bassa

E03: Sensore

Premere il pulsante **PAUSA/ANNULLA** per far tornare il sistema nella normale modalità di stand-by.

5. SUGGERIMENTI E CONSIGLI


5.1 Recipienti per una cottura a microonde sicura

Recipienti di cottura	Sicurezza con le microonde	Commenti
Carta stagnola/ Contenitori in carta stagnola	✓ / X	Per proteggere gli alimenti dal surriscaldamento, è possibile utilizzare fogli di carta stagnola. Mantenere la carta stagnola a una distanza minima di 2 cm dalle pareti del forno poiché, in caso contrario, potrebbero formarsi archi elettrici. Si sconsiglia l'utilizzo di contenitori in carta stagnola, se non specificati dal produttore e seguire attentamente le istruzioni.
Porcellana e ceramica	✓ / X	Di norma, è possibile utilizzare i contenitori in porcellana, in ceramica, in vetro e in porcellana fine, se non presentano decorazioni metalliche.
Recipienti in vetro, ad esempio Pyrex®	✓	Se si utilizzano recipienti in vetro sottile occorre fare molta attenzione, perché, se riscaldati in modo improvviso, possono rompersi o scheggiarsi.
Metallo	X	Nella cottura a microonde si sconsiglia l'utilizzo di recipienti in metallo, poiché causano la formazione di archi elettrici e possono essere causa di un principio di incendio.
Plastica/Polistirene, ad esempio, contenitori da Fast Food	✓	Occorre prestare molta attenzione, perché ad elevate temperature alcuni contenitori possono deformarsi, fondersi o scolorirsi.
Sacchetti per congelamento/rosolatura	✓	Devono essere forati per consentire la fuoriuscita del vapore. Verificare che i sacchetti siano adatti per l'utilizzo in forno a microonde. Non utilizzare legacci in plastica o in metallo, perché possono fondersi o provocare incendi a causa della formazione di archi elettrici.
Carta - sottocoppe e carta da cucina	✓	Utilizzare solo per il riscaldamento o per assorbire l'umido. Occorre prestare molta attenzione, perché il surriscaldamento può portare allo sviluppo di incendi.
Contenitori in paglia e legno	✓	Quando si utilizzano questi materiali, è necessario sempre sorvegliare il forno, perché il surriscaldamento può portare allo sviluppo di incendi.
Carta riciclata e carta di giornale	X	Possono contenere estratti di metallo, i quali possono provocare la formazione di archi elettrici e causare incendi.

Recipienti di cottura	Microonde	Grill	Convezione	Combinazione*
Vetro termoresistente	✓	✓	✓	✓
Vetro non termoresistente	X	X	X	X
Ceramica termoresistente	✓	✓	✓	✓
Stoviglie di plastica utilizzabili nel microonde	✓	X	X	X
Carta da cucina	✓	X	X	X
Vassoio	X	✓	✓	X
Griglie	X	✓	✓	X
Fogli di alluminio e contenitore di alluminio	X	✓	✓	X

*Combinazione: applicabile sia per la cottura micro. grill sia per la cottura micro. convezione.

5.2 Consigli e suggerimenti

Consigli e suggerimenti	
Composizione	Gli alimenti con un elevato contenuto di grassi o zuccheri (ad esempio, un dolce natalizio o una torta ripiena di frutta secca) richiedono un tempo di cottura inferiore. Occorre prestare molta attenzione perché il surriscaldamento può costituire un principio di incendio.
Dimensioni	Per una cottura uniforme, ottenere pezzi delle stesse dimensioni.
Temperatura	La temperatura iniziale degli alimenti influisce sul tempo di cottura necessario. Nel caso di alimenti con ripieno, (ad esempio, bomboloni alla marmellata), occorre praticare in essi piccoli tagli, per consentire la fuoriuscita di calore o vapore.
Disposizione	Posizionare le parti più spesse dell'alimento verso la parte esterna del vassoio di cottura. (Ad esempio, nel caso di cosce di pollo.)
Copertura	Utilizzare pellicola protettiva, forandola per la ventilazione, o un coperchio adatto.
Foratura	Prima della cottura o del riscaldamento, gli alimenti con guscio, pelle o membrana devono essere forati in diversi punti, poiché la formazione interna di vapore potrebbe causare l'esplosione dell'alimento stesso. (Ad esempio, nel caso di patate, pesce, pollo, salsicce.)  IMPORTANTE! Non utilizzare il forno a microonde per cuocere uova poiché queste potrebbero esplodere, anche dopo la cottura. (Ad esempio, nel caso di uova in camicia, fritte o sode.)
Rimescolare, girare e ridisporre gli alimenti	Per una cottura uniforme, è necessario rimescolare, girare o ridisporre gli alimenti. Rimescolare e ridisporre sempre gli alimenti dalla parte esterna verso il centro.
Tempo di riposo	Dopo la cottura, è necessario lasciare riposare brevemente gli alimenti per consentire al calore di diffondersi uniformemente attraverso gli alimenti stessi.
Schermatura	È possibile schermare le aree calde con pezzetti di carta stagnola, che riflettono le microonde, (ad esempio nel caso di cosce e ali di pollo).



Mai toccare o alzare la resistenza quando è calda. Usare presine o guanti da cucina per togliere il cibo dal forno. Per evitare le ustioni causate dal vapore, aprire sempre contenitori, recipienti per pop-corn, sacchetti da forno, ecc. tenendoli lontani dal viso dalle mani.

Per evitare le scottature causate dalla fuoriuscita del vapore e del calore, allontanarsi dallo sportello del forno durante l'apertura. Per far uscire il vapore ed evitare ustioni, praticare alcune incisioni sui cibi ripieni riscaldati.

6. COSA FARE SE

Sintomo	Controlli/suggerimenti . . .
Il forno a microonde non funziona correttamente?	<ul style="list-style-type: none"> • I fusibili all'interno del portafusibili funzionino correttamente. • Non sia avvenuta un'interruzione di corrente. • Se i fusibili continuano a saltare, contattare un elettricista qualificato.
La funzione microonde non funziona?	<ul style="list-style-type: none"> • Lo sportello sia chiuso correttamente. • Le guarnizioni e la superficie dello sportello siano pulite. • Il pulsante START è stato premuto.
Il piatto rotante non gira?	<ul style="list-style-type: none"> • Il supporto del piatto rotante sia correttamente collegato alla trasmissione. • Il vasellame non si estenda oltre il piatto rotante. • Gli alimenti inseriti non si estendano oltre il bordo del piatto rotante impedendone la rotazione. • Non sia presente nulla nel vano sottostante il piatto rotante.
Il forno a microonde non si spegne?	<ul style="list-style-type: none"> • Isolare l'apparecchio dal portafusibili. • Contattare un agente di servizio autorizzato ELECTROLUX.
La luce interna non funziona?	<ul style="list-style-type: none"> • Contattare il proprio agente di servizio autorizzato ELECTROLUX. La lampadina interna deve essere sostituita solo da un agente di servizio autorizzato ELECTROLUX.
Occorre più tempo per gli alimenti?	<ul style="list-style-type: none"> • Impostare un tempo di cottura più lungo (quantità doppia = quasi tempo doppio) oppure. • Se il cibo risulta più freddo del solito, farlo ruotare di tanto in tanto, oppure. • Impostare un livello di potenza superiore.



Se il forno resta in funzione in qualsiasi modalità per 2 minuti o più, la ventola di raffreddamento resterà attiva per 3 minuti dopo il termine della cottura.

7. DATI TECNICI

Tensione della linea CA	230 V, 50 Hz, monofase	
Fusibile/interruttore linea di distribuzione	Minimo 16 A	
Potenza CA richiesta:	Microonde	1.400 kW
	Grill	1.000 kW
	Convezione	1.950 kW
Potenza sviluppata:	Microonde	900 W (IEC 60705)
	Grill	1000 W
	Convezione	1950 W
Frequenza microonde	2450 MHz ¹⁾ (Gruppo 2/Classe B)	
Dimensioni esterne:	MQC326GXE	595 mm (L) x 390 mm (A) x 382 mm (P)
Dimensioni interne	340 mm (L) x 210 mm (A) x 344 mm (P) ²⁾	
Capacità del forno	25 litres ²⁾	
Piatto rotante	ø 270 mm, vetro	
Peso	circa. 16.7 kg	


- 1) Il Prodotto soddisfa i requisiti della norma europea EN55011.
In conformità a tale norma, questo prodotto è classificato come apparecchiatura appartenente al gruppo 2 classe B.
Gruppo 2 significa che l'apparecchiatura genera energia in frequenza radio sotto forma di radiazioni elettromagnetiche per il riscaldamento dei cibi.
Apparecchiatura di Classe B significa che l'apparecchiatura può essere utilizzata in ambienti domestici.
- 2) La capacità interna è calcolata misurando larghezza, profondità e altezza massima. Lo spazio a disposizione per gli alimenti è inferiore e dipende dagli accessori inseriti.

8. EFFICIENZA ENERGETICA

Informazioni sul prodotto per il consumo energetico e tempo massimo per il raggiungimento della modalità di bassa potenza applicabile

Consumo energetico in stand-by con display acceso	0.8 W
Tempo massimo necessario perché l'apparecchio passi in modalità bassa potenza	5 min

9. INFORMAZIONI AMBIENTALI

Riciclare i materiali con il simbolo .
Buttare l'imballaggio negli appositi contenitori per il riciclaggio.

Aiutare a proteggere l'ambiente e la salute umana e a riciclare rifiuti derivanti da apparecchiature elettriche ed elettroniche.

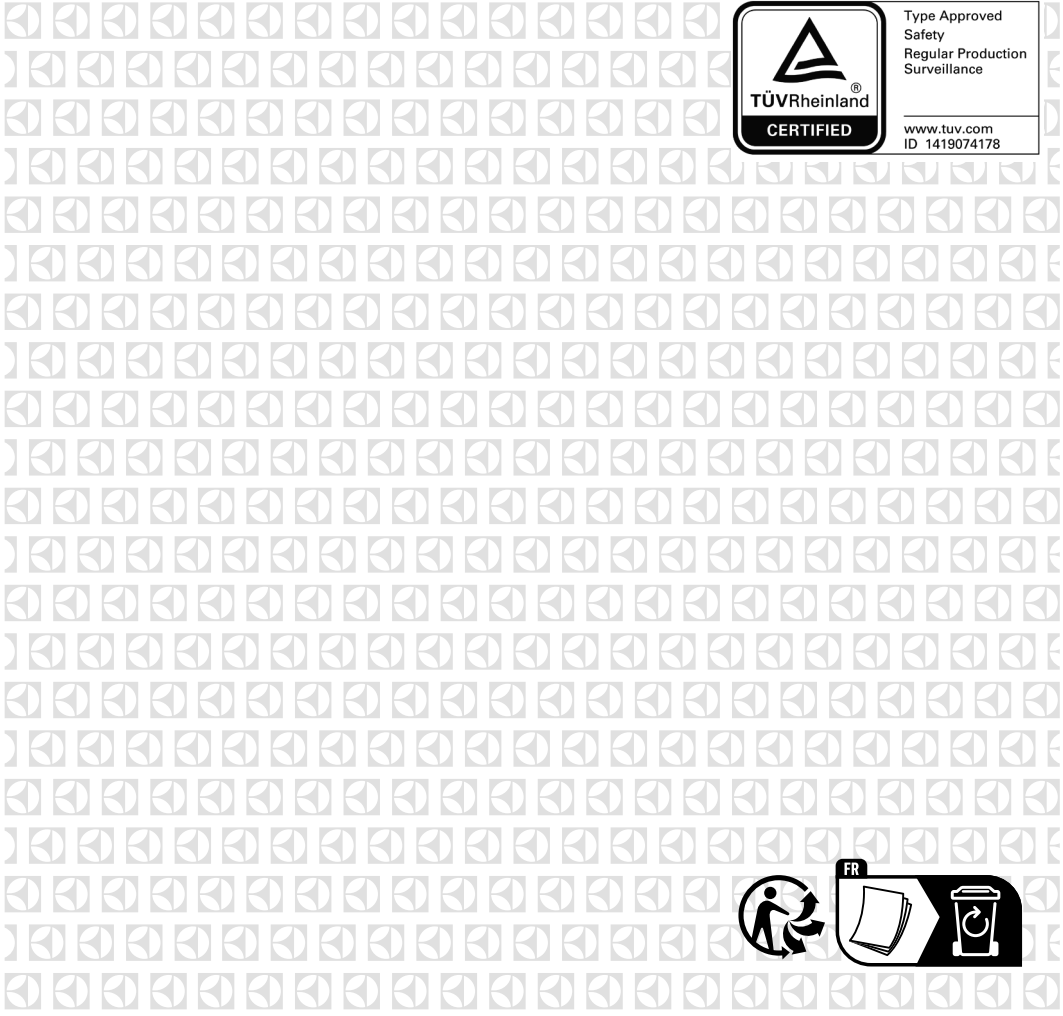


Non smaltire le apparecchiature che riportano il simbolo insieme ai normali rifiuti domestici. Portare il prodotto al punto di riciclaggio più vicino o contattare il comune di residenza.

electrolux.com/shop



TINS-B366URR5



 TÜVRheinland CERTIFIED	Type Approved Safety Regular Production Surveillance
	www.tuv.com ID 1419074178

